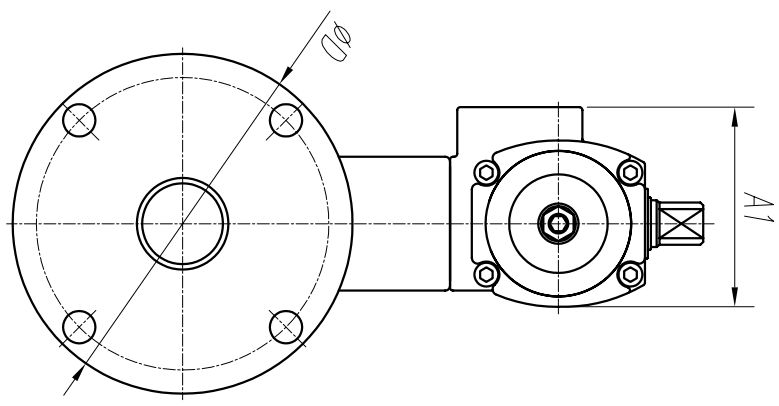
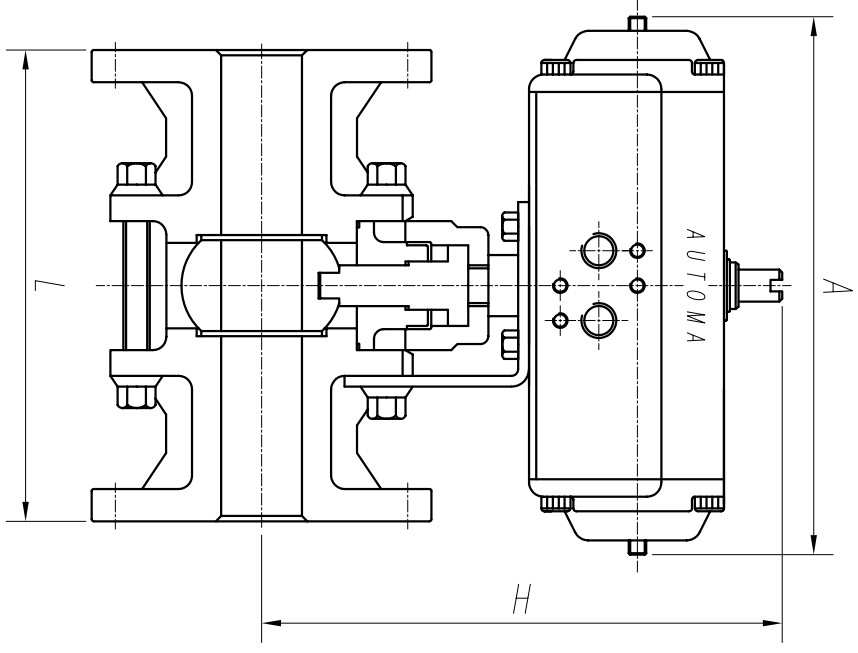
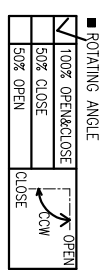
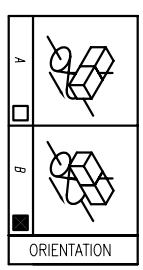


3-12



TITLE		2 WAY PVC BALL VALVE	
NO	DESCRIPTION	MATERIAL	
1	SHAFT	S45C	
2	HOUSING	A6063 15	
3	COVER	A/2024	
4	STEM	SCM4 + PP	
5	BODY	P.V.C	
6	SEAT	PTFE	
7	BALL	P.V.C	
8	O-RING	EPDM	

FOR APPROVAL



Actuator Specification

Specification	Type	DOUBLE ACTING	
Operating Medium		Compressed dry air	
Standard operating pressure		5kg/cm ²	
Operating pressure range		4 ~ 7kg/cm ²	
Operating angle		90° (0°~+95°)	
Operating time(close → open)		Maximum 30 Second(Speed control)	
Service temperature		-20°C ~ +65°C	
Designed by	Checked by	Approved - date	File name
정원철			P V C VALVE
		2005.02.05	2005.02.05
			N:S
			mm

DIMENSIONS

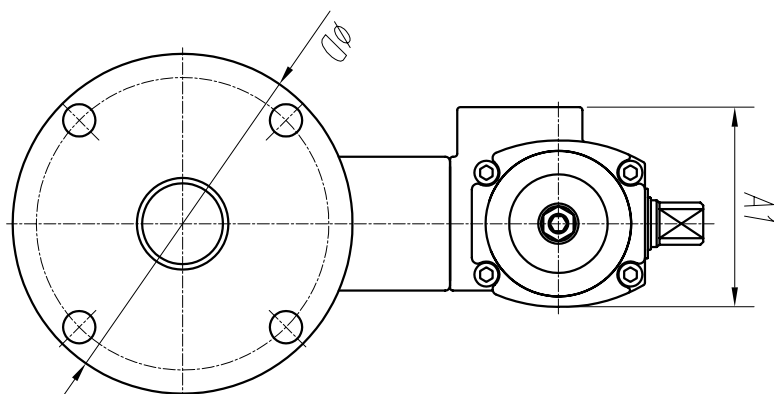
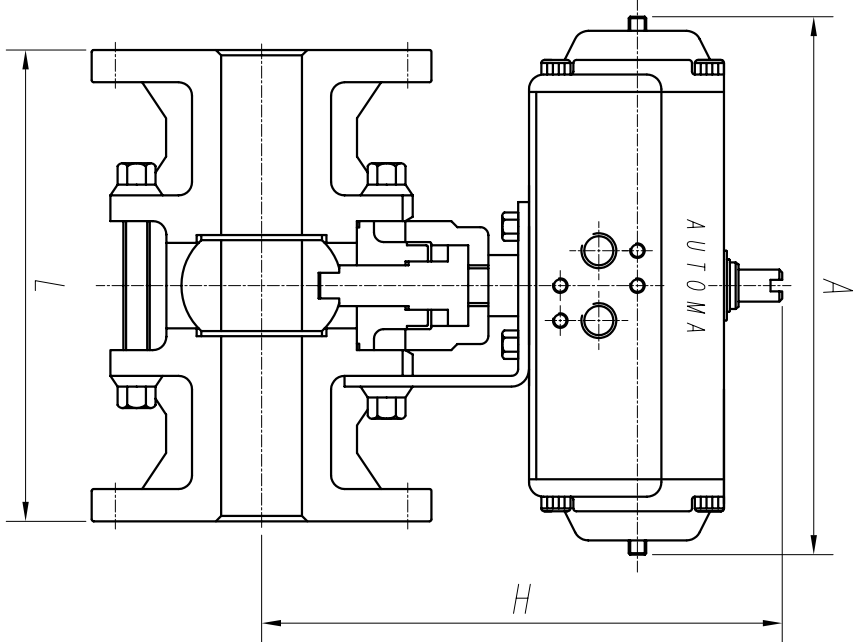
Unit:mm

Model	SIZE		A	A1	H	L	D
	mm	inch					
AD50-15F	15A	1/2"	178	69	167	145	95
AD50-20F	20A	3/4"	178	69	174	150	100
AD50-25F	25A	1"	178	69	187	170	125
AD50-32F	32A	1-1/4"	178	69	200	175	135
AD65-40F	40A	1-1/2"	232	82	213	190	140
AD65-50F	50A	2"	232	82	226	210	155



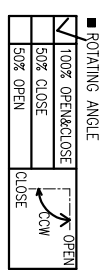
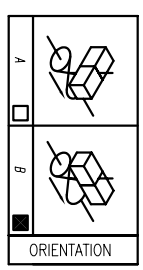
P.V.C BALL VALVE (15A ~ 50A), DOUBLE
AD 2-WAY P.V.C
Drawing no. A050205-03-12

3-13



TITLE		2 WAY PVC BALL VALVE	
NO	DESCRIPTION	MATERIAL	
1	SHAFT	S45C	
2	HOUSING	A6063 15	
3	COVER	A/2024	
4	STEM	SCM4 + PP	
5	BODY	P.V.C	
6	SEAT	PTFE	
7	BALL	P.V.C	
8	O-RING	EPDM	

FOR APPROVAL



Actuator Specification

Specification	Type	DOUBLE ACTING
Operating Medium		Compressed dry air
Standard operating pressure		5kg/cm ²
Operating pressure range		4 ~ 7kg/cm ²
Operating angle		90° (0°~+95°)
Operating time(close → open)		Maximum 30 Second(Speed control)
Service temperature		-20°C ~ +65°C

DIMENSIONS

Model	SIZE		A	A1	H	L	D
	mm	inch					
AD65-65F	65A	2-1/2"	232	82	265	260	175
AD80-80F	80A	3"	260	98	290	265	185
AD80-100F	100A	4"	260	98	329	300	210
AD100-125F	125A	5"	326	114	404	360	250
AD100-150F	150A	6"	326	114	426	360	280

Unit:mm

AUTOMA

Title: P.V.C BALL VALVE (65A ~ 150A), DOUBLE

Model: AD 2-WAY P.V.C

Designed by	Checked by	Approved - date	File name	Date	Scale	Unit
장원철			P V C VALVE	2005.02.05	N:1	mm

Drawing no. AD050205-03-13