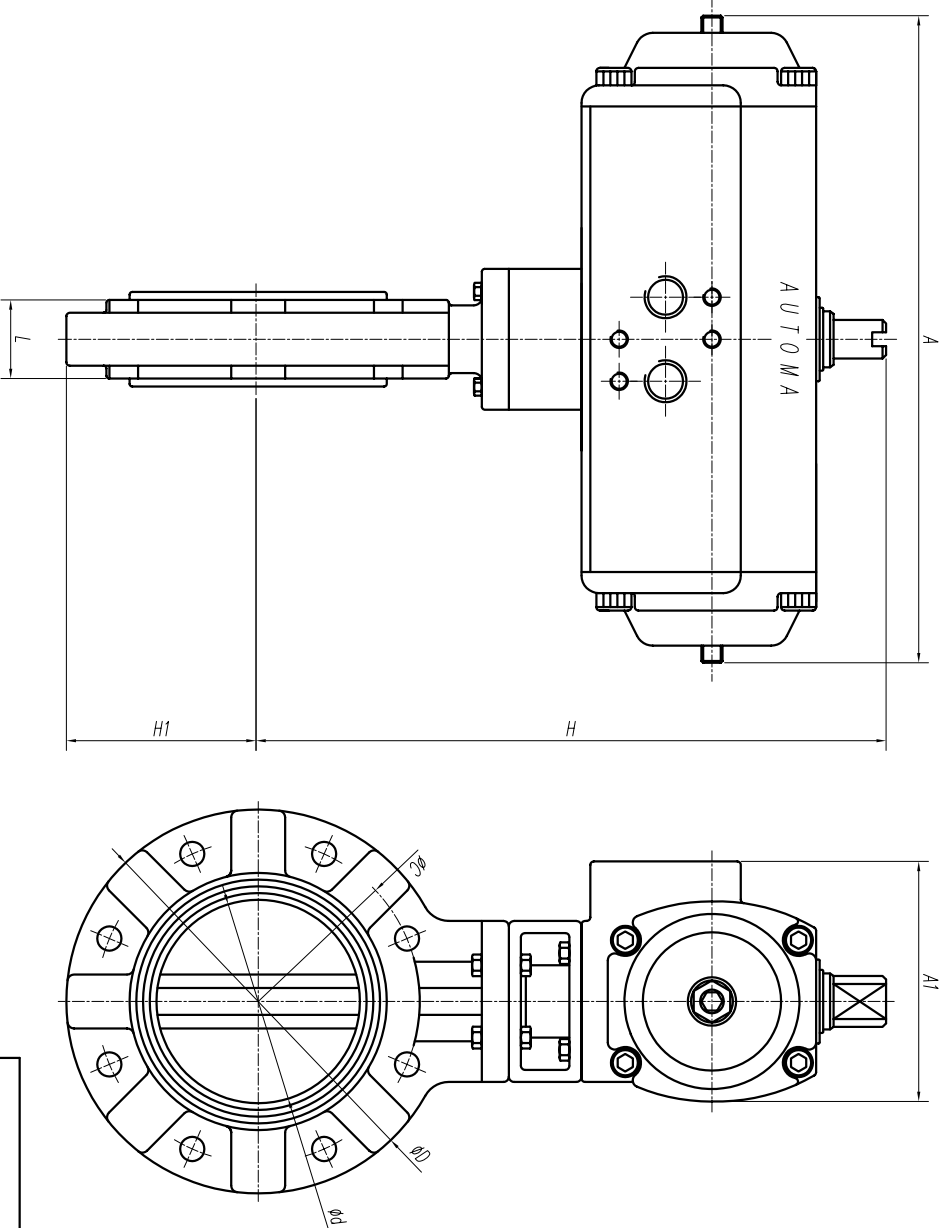


3-14



■ DIMENSIONS

Model	SIZE		A	A1	H	H1	L	D	C	φd
	mm	inch								
AD50-50BF	50A	2"	178	69	281	82.5	42	165	120	59
AD50-65BF	65A	2-1/2"	178	69	295	92.5	46	185	140	72
AD65-80BF	80A	3"	232	82	339	100	46	200	150	80
AD65-100BF	100A	4"	232	82	364	114.5	56	229	175	103
AD80-125BF	125A	5"	260	98	408	127	66	254	210	130
AD80-150BF	150A	6"	260	98	435	142.5	73	285	240	151

■ Unit:mm

■ Actuator Specification

Specification	Type	DOUBLE ACTING
Operating Medium		Compressed dry air
Standard operating pressure		5kg/cm ²
Operating pressure range		4 ~ 7kg/cm ²
Operating angle		90° (0°~+95°)
Operating time(close → open)		Maximum 30 Second(Speed control)
Service temperature		-20°C ~ +65°C
Designed by	Checked by	Approved - date
정원철		
File name	P V C VALVE	Date
		2005.02.05
Scale	N:1	Unit
		mm

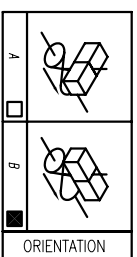


Title
P.V.C BUTTERFLY VALVE (50A ~ 150A),DOUBLE
Model
AD P.V.C BUTTERFLY Drawing no.
A050205-03-14

TITLE
DOUBLE ACTING ACTUATOR
P.V.C BUTTERFLY VALVE

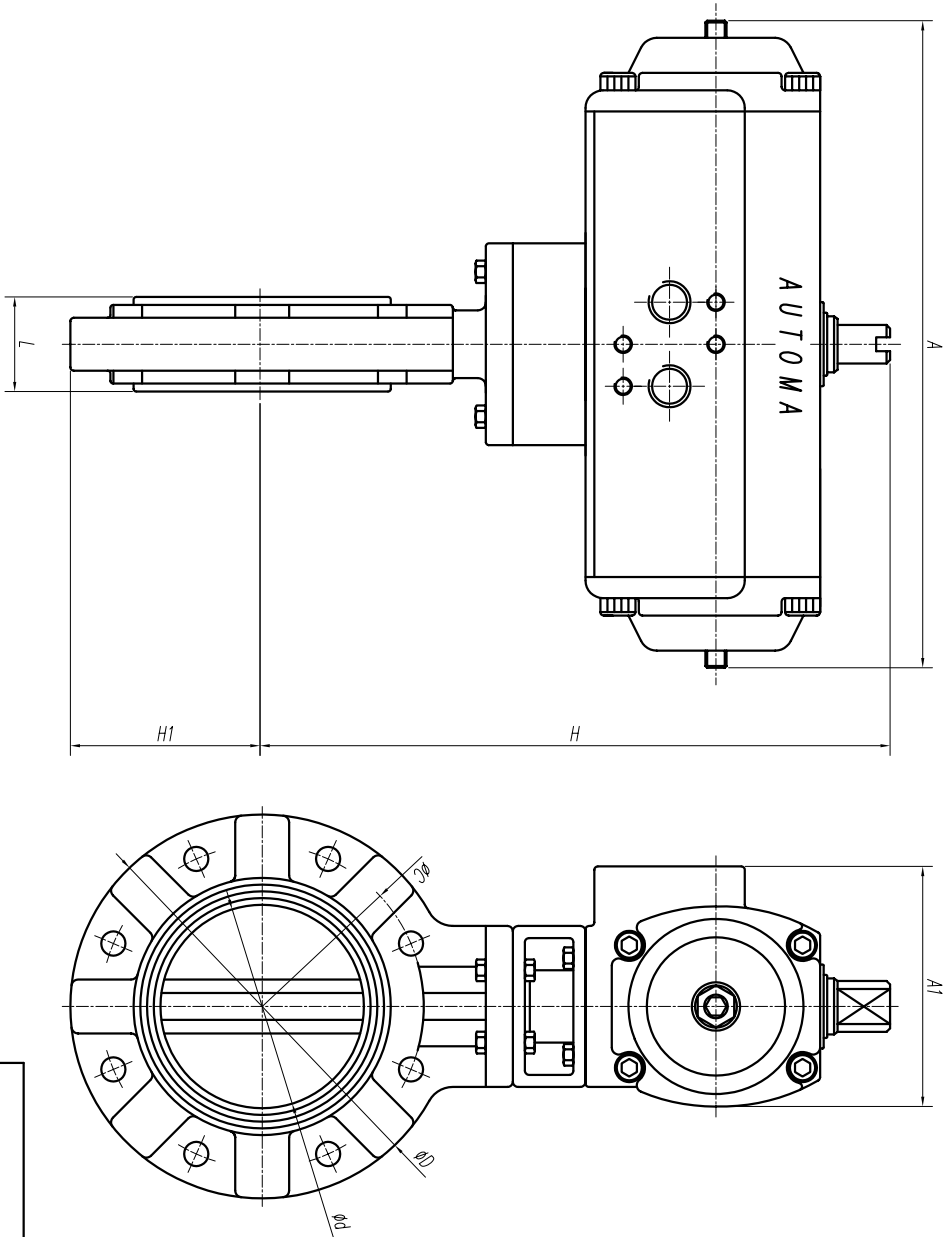
NO	DESCRIPTION	MATERIAL
1	SHAFT	S45C
2	HOUSING	A6063 15
3	COVER	A/2024
4	STEM	SCM4 + PP
5	BODY	P.V.C
6	VALVE SEAT	EPDM
7	DISC	P.V.C
8	O-RING	EPDM

FOR APPROVAL



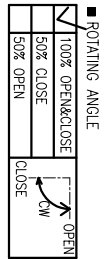
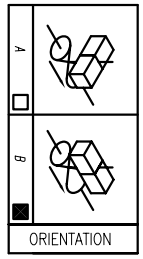
■ ROTATING ANGLE	
<input checked="" type="checkbox"/>	100% OPEN&CLOSE
<input type="checkbox"/>	50% CLOSE
<input type="checkbox"/>	50% OPEN

3-15



TITLE		DOUBLE ACTING ACTUATOR P.V.C BUTTERFLY VALVE	
NO	DESCRIPTION	MATERIAL	
1	SHAFT	S45C	
2	HOUSING	A6063 15	
3	COVER	A/2024	
4	STEM	SCM4 + PP	
5	BODY	P.V.C	
6	VALVE SEAT	EPEM	
7	DISC	P.V.C	
8	O-RING	EPDM	

FOR APPROVAL



■ Actuator Specification

Specification	Type	DOUBLE ACTING
Operating Medium		Compressed dry air
Standard operating pressure		5kg/cm ²
Operating pressure range		4 ~ 7kg/cm ²
Operating angle		90° (0°~+95°)
Operating time(close → open)		Maximum 30 Second(Speed control)
Service temperature		-20°C ~ +65°C

■ DIMENSIONS

Model	SIZE		A	A1	H	H1	L	D	C	φd
	mm	inch								
AD100-200BF	200A	8"	326	114	553	170	94	340	290	209
AD100-250BF	250A	10"	326	114	655	205	111	410	355	255
AD140-300BF	300A	12"	462	158	742	242.5	131	485	400	311
AD140-350BF	350A	14"	462	158	770	260	134	520	445	348
AD200-400BF	400A	16"	780	260	929	300	174	600	510	398

■ Unit:mm

Designed by Checked by Approved - date

정원철

AUTOMA

AUTOMA

Title: P.V.C BUTTERFLY VALVE (200A ~ 4000A), DOUBLE
Model: AD P.V.C BUTTERFLY Drawing no. AD050205-03-15

File name: P V C VALVE Date: 2005.02.05 Scale: N:S Unit: mm