



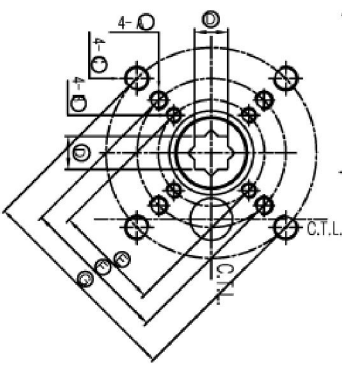
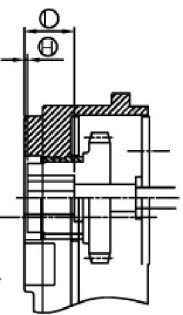
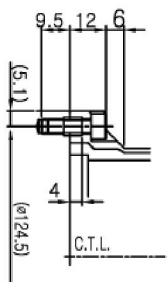
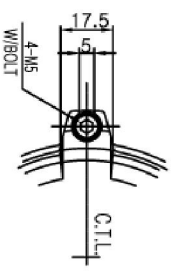
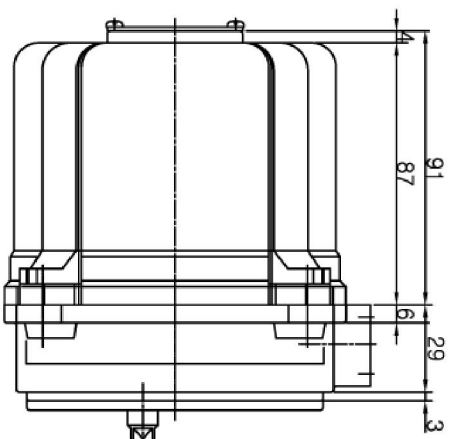
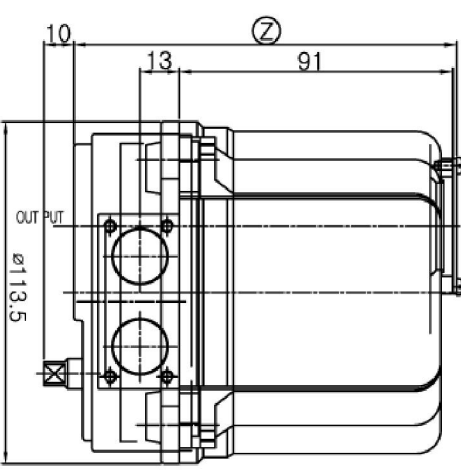
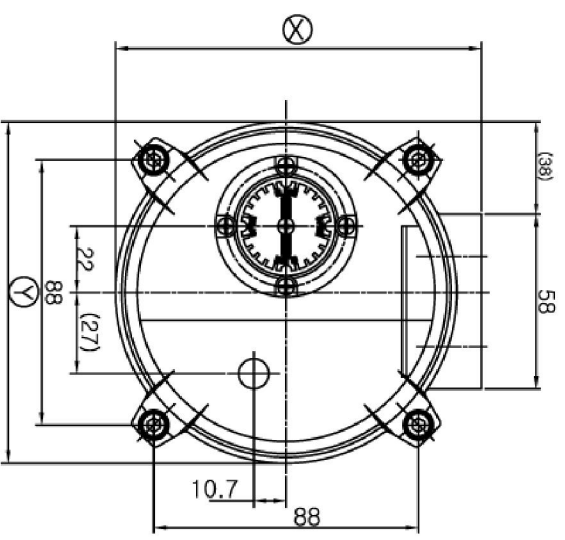
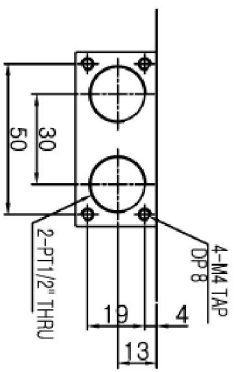
NO	PART NAME	MATERIAL	QTY	REMARK
1	BODY	AIDC12	1	
2	TOP COVER	AIDC12	1	
3	DRIVE SHAFT	SM45C		
4	CONDUIT ENTRIES		1	PT3/8"
5				
6				
7				
8				
9				
10				

ATM0020 1
App'l FILE

 AUTOMA http://www.automa.co.kr		MATERIAL 	
DRAWN C.I. KIM	DESIGN D.S.SHIM	CHECKED 	APPROVER
DIMENSION 1/16"		ISSU. DEPT. IT/CDR	HEAT TREAT. SURF. TREAT.
SCALE N/S		DATE 08.03.05	SIZE A2
PART NAME ATM0020 LAYOUT		DWG NO ATM0020	
		1 / 1	

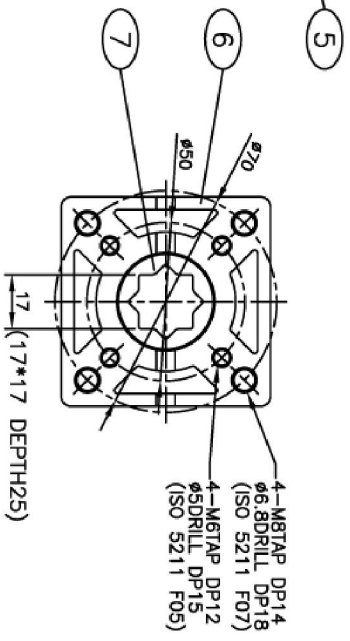
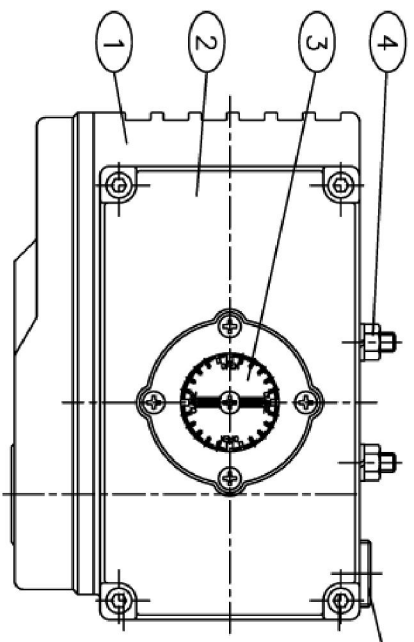
REV	CHANGES	DATE	SIGN	APPROV

VIEW A	AMT00060
FLANGE (ISO 5211)	F03/F05/F07
A	M5x8
B	M6x8
C	M8x8
D	14
E	35
F	50
G	70
H	1
I	16.5
X	121.8
Y	ø113.5
Z	129

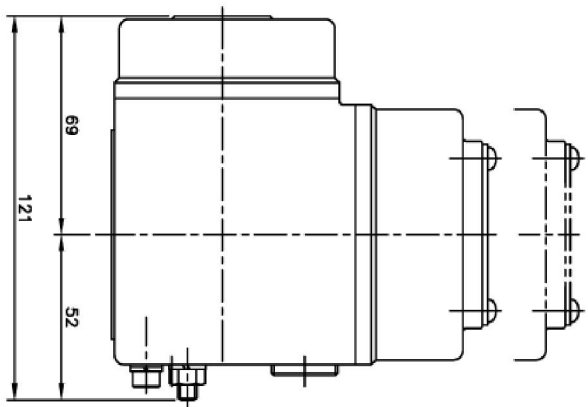
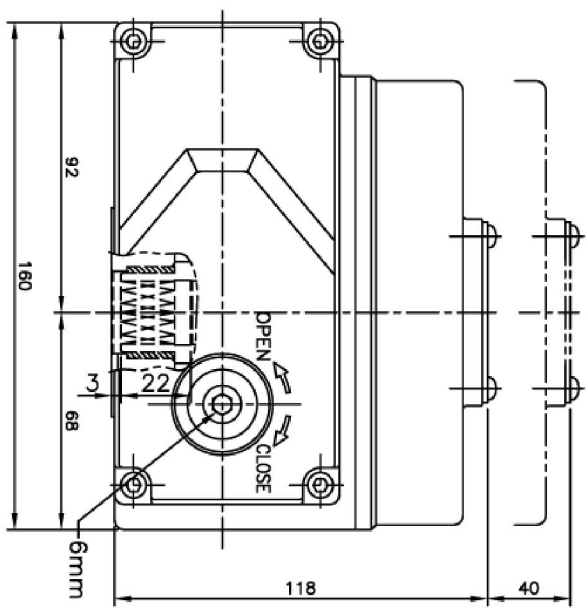


CONTRACT NUMBER 315 1000 40.8		MACHINE CUT DATE/CUT & NO. 300 77 40.0205	
COMMENTS OVER 0.5 TO 0 40.1 0.000 8 30 40.2 0.000 30 100 40.3 0.000 180 315 40.5 0.000 315 1000 40.8 0.000		DATE/REV & NO. OVER 0 TO 50 40.010 50 180 40.015 180 300 40.020 300 77 40.025	
DESIGNER D.K. LIM CHECKED B.H.KIM APPROVER ASSEMBLY LAY OUT		DWG No AMT0040	
NO. NAME MATERIAL		QTY REMARK	

AMT0040_1
APP. FILE



NO	PART NAME	MATERIAL	QTY	REMARK
1	BODY	AIDC12	1	
2	TOP COVER	AIDC12	1	
3	WINDOW	PC	1	
4	STOPPER BOLTS	SUS316	2	M6*45
5	CONDUIT ENTRIES		2	M20*1.5
6	BASE	AIDC12	1	
7	DRIVE BUSHING	AIBC3	1	
8				
9				
10				

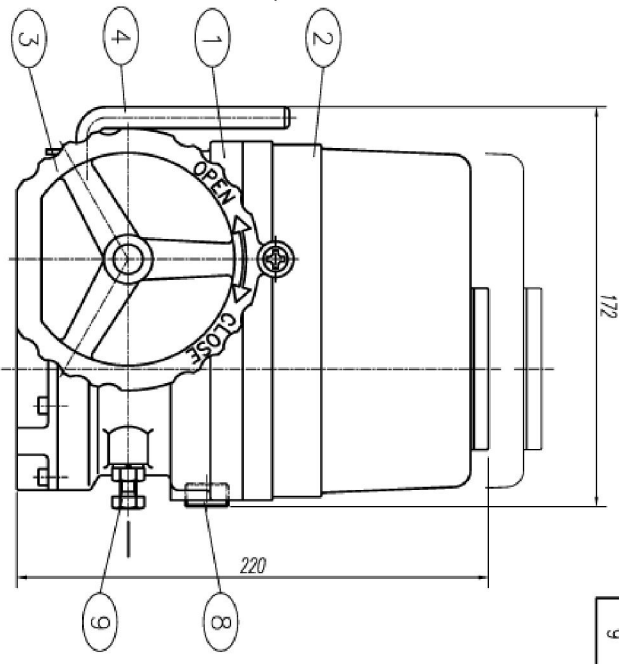
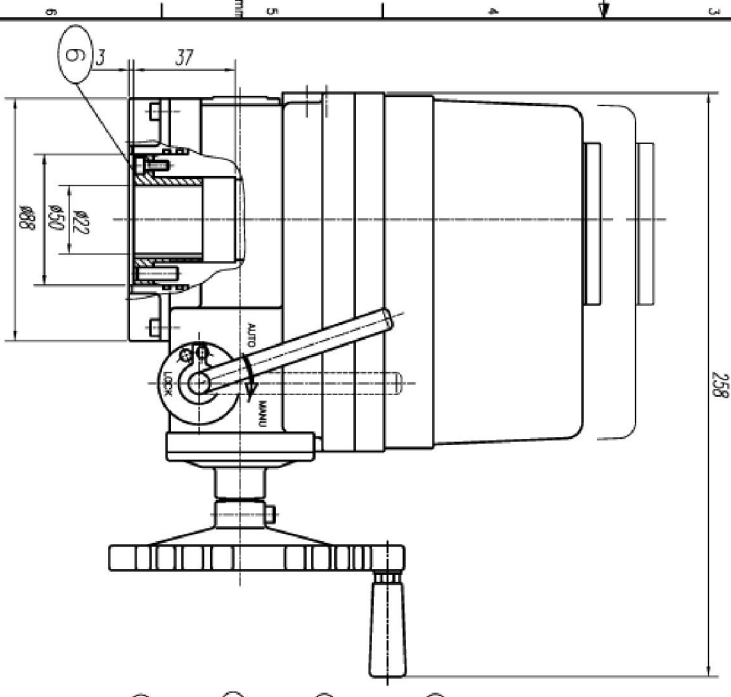
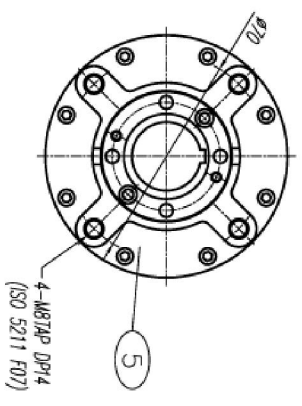
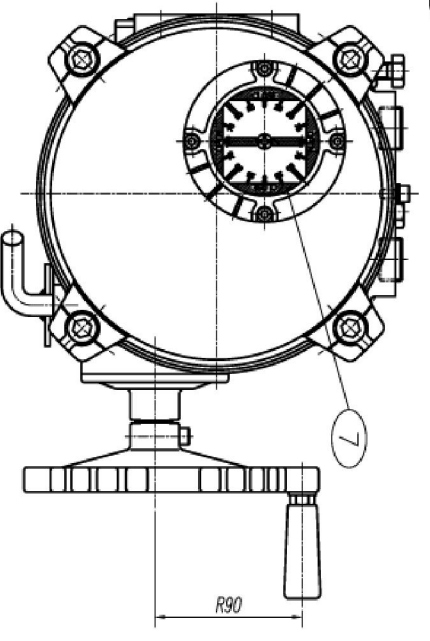


6mm L-WRENCH

ATM0080_1	
App L FILE	

AUTOMA		PROJ.	
http://www.automa.co.jp		MATERIAL	
DRAWN	DESIGN	CHECKED	APPROVER
C.I. KIM			
SCALE		DATE	
N/S		08.02.01	
SIZE		A2	
PART NAME		DWG NO	
ATM0080 LAYOUT		ATM0080	
		HEAT TREAT. SURF. TRET.	
		1	
		1	

2



TITLE
EAELECTRIC ACTUATOR
ATM 0100

NO	DESCRIPTION	MATERIAL	Q'TY	REMARK
1	BODY	AC2B	1	AC4C
2	TOP COVER	AC2B	1	AC4C
3	HANDLE	AC2B	1	
4	LEVER	SM45C	1	SUM24L
5	BASE	GF250	1	
6	DRIVE BUSING	SM45C	1	
7	INDICATOR	PC	1	
8	CONDUIT ENTRIES		1	PF3/4"
9	STOPPER BOLTS	SUS316	1	M10X60

FOR APPROVAL

■ Actuator Specification

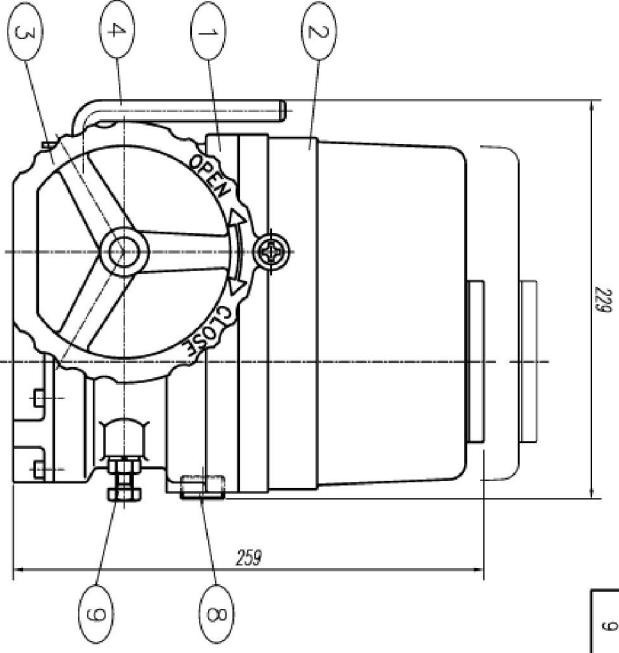
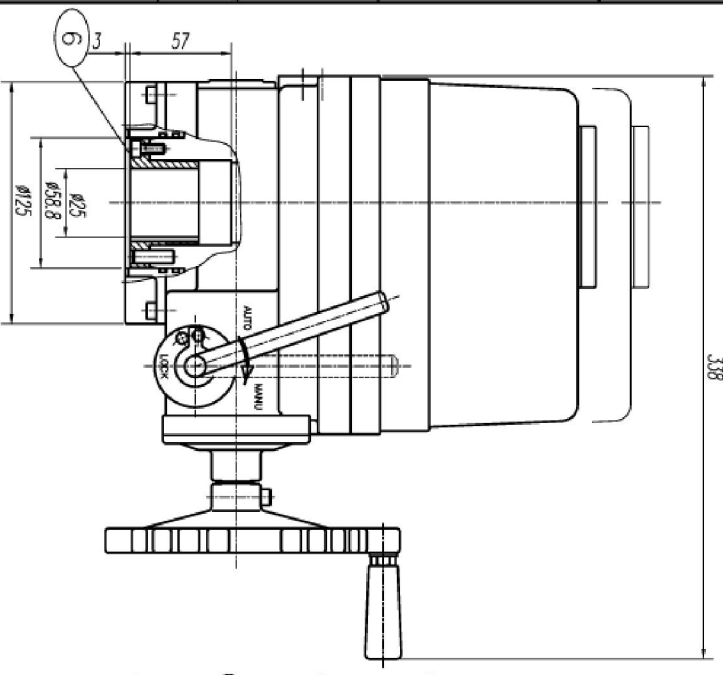
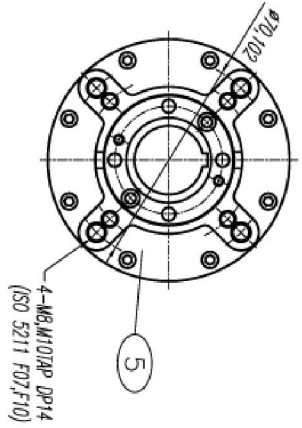
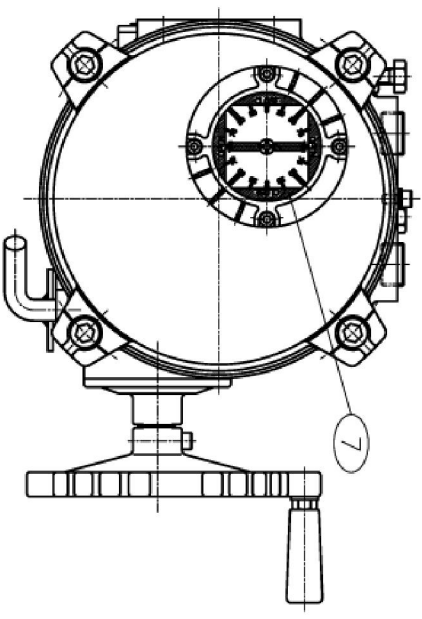
Specification	Type	Electric actuator
Enclosure		Weather proof IP67/NEEMA4
Main Power supply		110/220/380/440V AC 1Ph/50/60Hz
Operating time (50/60Hz)		21/18
No of Handle turns		90° = 14
Weight		7kg
Ambient temperature		-20°C ~ 70°C

Designed by	Checked by	File name	Date	Scale	Unit
정인철		MOTOR	2005.02.05	NS	mm
Approved - date		Title			
		ATM0100			



Model ATM Drawing no. A050205-02

3



TITLE
ELECTRIC ACTUATOR
ATM 0160,0240

NO	DESCRIPTION	MATERIAL	Q'TY	REMARK
1	BODY	AC2B	1	AC4C
2	TOP COVER	AC2B	1	AC4C
3	HANDLE	AC2B	1	
4	LEVER	SM45C	1	SUM24L
5	BASE	GF250	1	
6	DRIVE BUSING	SM45C	1	
7	INDICATOR	PC	1	
8	CONDUIT ENTRIES		1	PF3/4"
9	STOPPER BOLTS	SUS316	1	M10X60

FOR APPROVAL

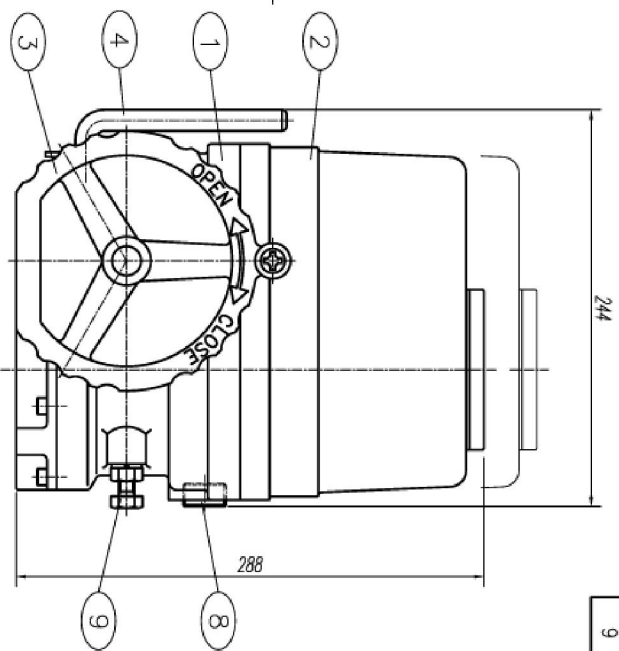
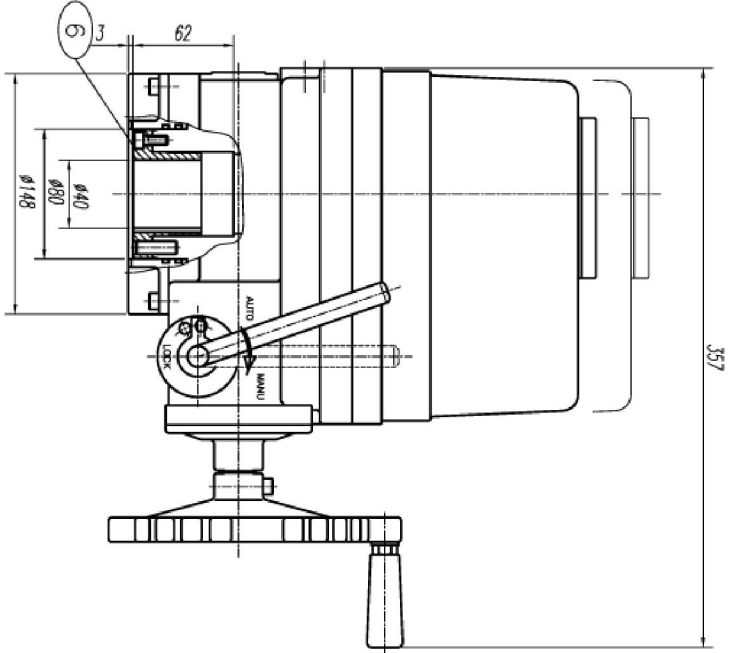
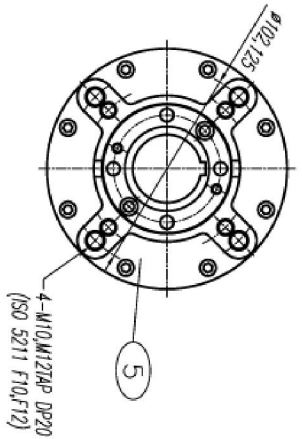
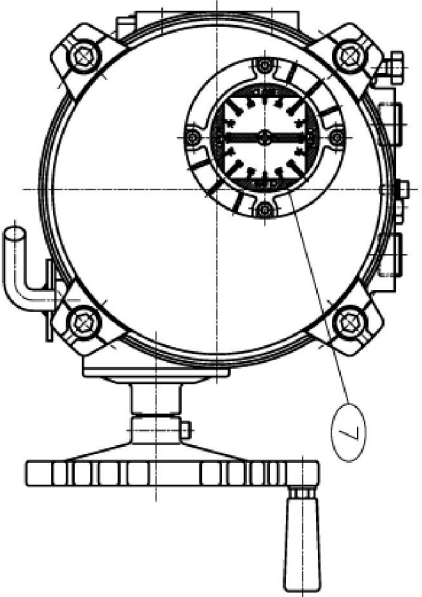
■ Actuator Specification

Specification	Type	Electric actuator
Enclosure		Weather proof IP67/NEEMA
Main Power supply		110/220/380/440V AC 1Ph/50/60Hz
Operating time		26/22
No of Handle turns		90° ~ 14
Weight		15kg
Ambient temperature		-20°C ~ 70°C

Designed by 김현철
Checked by
Approved - date



Title AUTOMA
Model ATM
Drawing no. A050205-03



TITLE
ELECTRIC ACTUATOR
ATM 0350,0500

NO	DESCRIPTION	MATERIAL	QTY	REMARK
1	BODY	AC2B	1	AC4C
2	TOP COVER	AC2B	1	AC4C
3	HANDLE	AC2B	1	
4	LEVER	SM45C	1	SUM24L
5	BASE	GF250	1	
6	DRIVE BUSING	SM45C	1	
7	INDICATOR	PC	1	
8	CONDUIT ENTRIES		1	PF3/4"
9	STOPPER BOLTS	SUS316	1	M10X60

FOR APPROVAL

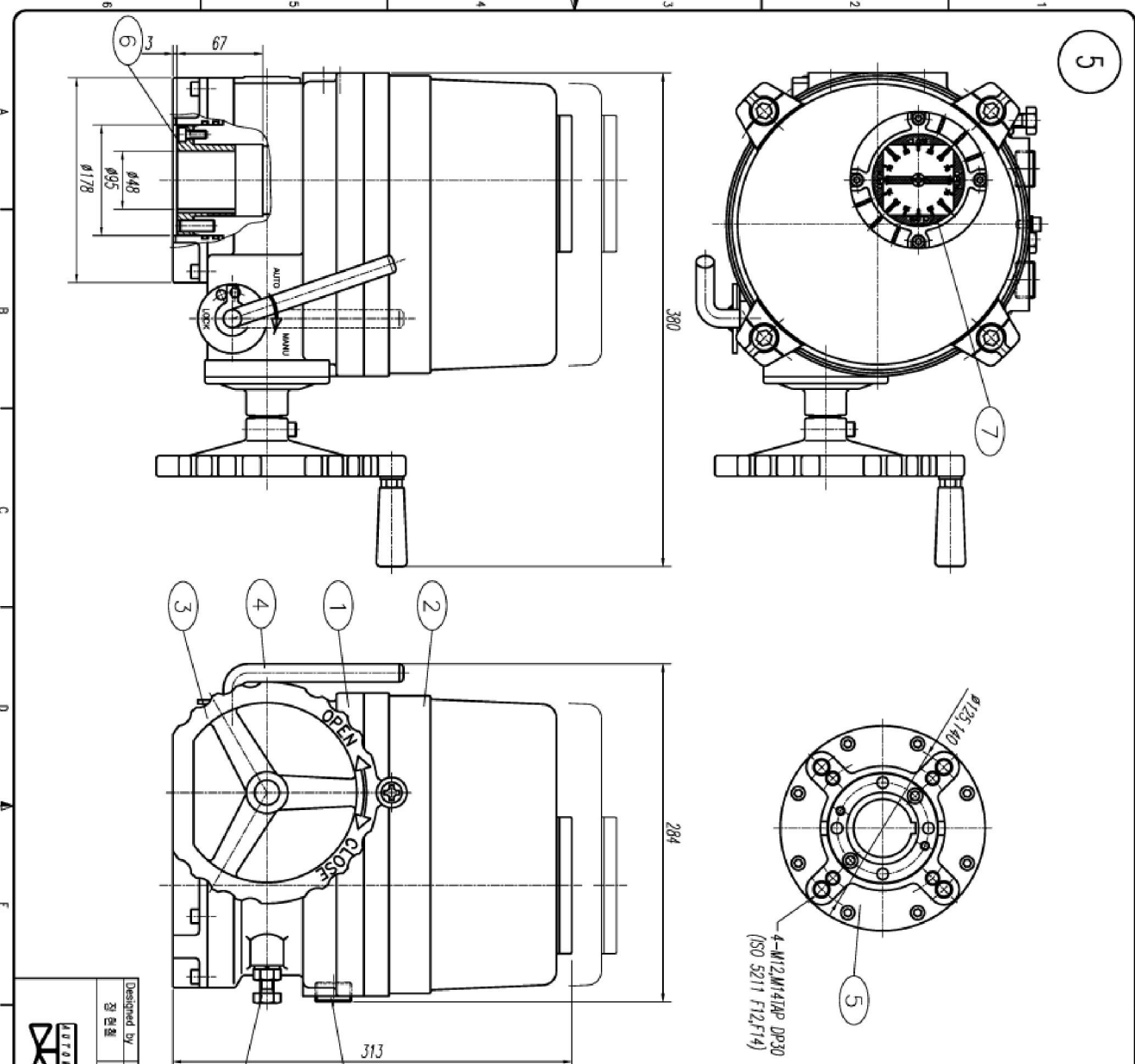
■ Actuator Specification

Specification	Type	Electric actuator
Enclosure		Weather proof IP67/NEEMA4
Main Power supply		110/220/380/440V AC 1Ph/50/60Hz
Operating time		31/2S
No. of Handle turns		90° - 14
Weight		20kg
Ambient temperature		-20°C ~ 70°C

Designed by	Checked by	Approved - date	File name	Date	Scale	Unit
정인철			MOTOR	2005.02.05	N/S	mm



Title	ATM-0350,0500
Model	ATM
Drawing no.	A050205-04



TITLE
EAECTRIC ACTUATOR
 ATM 0800,1100

NO	DESCRIPTION	MATERIAL	QTY	REMARK
1	BODY	AC2B	1	AC4C
2	TOP COVER	AC2B	1	AC4C
3	HANDLE	AC2B	1	
4	LEVER	SM45C	1	SUM24L
5	BASE	GF250	1	
6	DRIVE BUSING	SM45C	1	
7	INDICATOR	PC	1	
8	CONDUIT ENTRIES		1	PF3/4"
9	STOPPER BOLTS	SUS316	1	M10X60

FOR APPROVAL

■ Actuator Specification

Specification	Type	Electric actuator
Enclosure		Weather proof IP67/NEMA4
Main Power supply		110/220/250/440V AC 15A/50/60Hz
Operating time		0800:39/32, 1100:20/14
No of Handle turns		90° - 14
Weight		25kg
Ambient temperature		-20°C ~ 70°C

Designed by	Checked by	Approved - date	File name	Date	Scale	Unit
정원환			MOTOR	2005.02.05	N:S	mm



Title	Model	Drawing no.
ATM-0800,1100	ATM	A050205-05