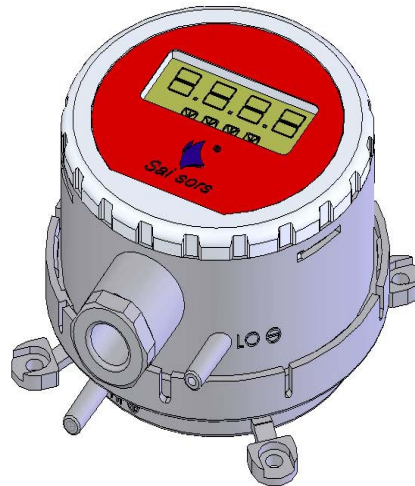


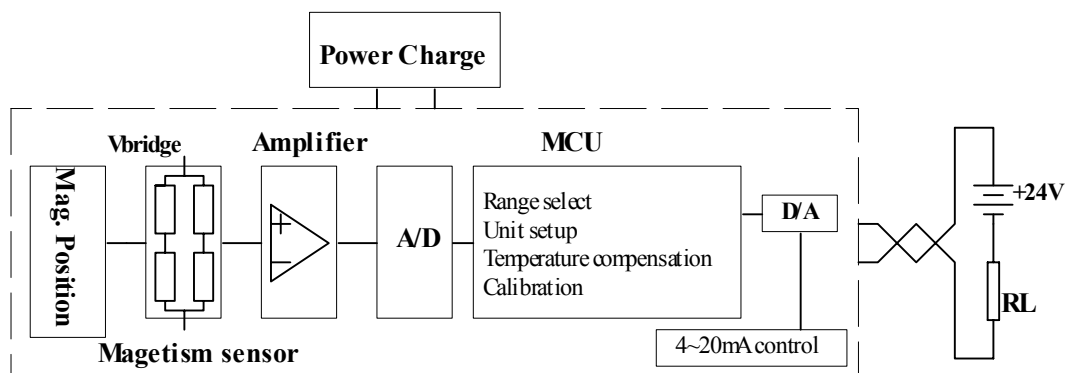
## A6 Multi-Range Differential Pressure Transmitter

### Features

- Magnetostrictive Effect technology
- Ranges from 0~25Pa at up to 3KPa
- Three selectable ranges for each model
- Insensitive to media, compared to transmitters using a piezoresistive silicon or capacitance sensor
- Excellent stability
- Available with Unidirectional and bidirectional ranges, and air velocity
- Optional LCD display



### Principles of Operation



### Specifications

**Service:** Air and non-combustible gases, compatible gases

**Accuracy:**  $\pm 1.0\%$  F.S. (0.1" w.c. & 25Pa:  $\pm 2.0\%$ )

**Range:** 0- 25Pa (min.), 0-1.25KPa(max.)

**Thermal effects:** Zero/span shift 0.05% F.S. / $^{\circ}\text{C}$

**Pressure limits:** 1psi max. operation; 10psi burst.

**Power supply:** 10-35 VDC (2-wire); 17-36 VDC or isolated 15-26 VAC (3-wire).

**Output signal:** 4-20mA (2-wire), 0-5V(3-wire); 0-10V (3-wire)

**Response time:** 0.5-15s adjustable.

**Work temperature:** -10 to 50 $^{\circ}\text{C}$ .

**Loop resistance:** Current output: 0-1250 $\Omega$  max.; Voltage output: 1000 $\Omega$  min. load

**Housing material:** ABS plastic.

**Display (optional):** 2-line, 4-digit LCD.

**Stability:**  $\pm 1\%$  F.S./YR.

**Accessory:** Cable gland for 4-7.5mm diameter cable

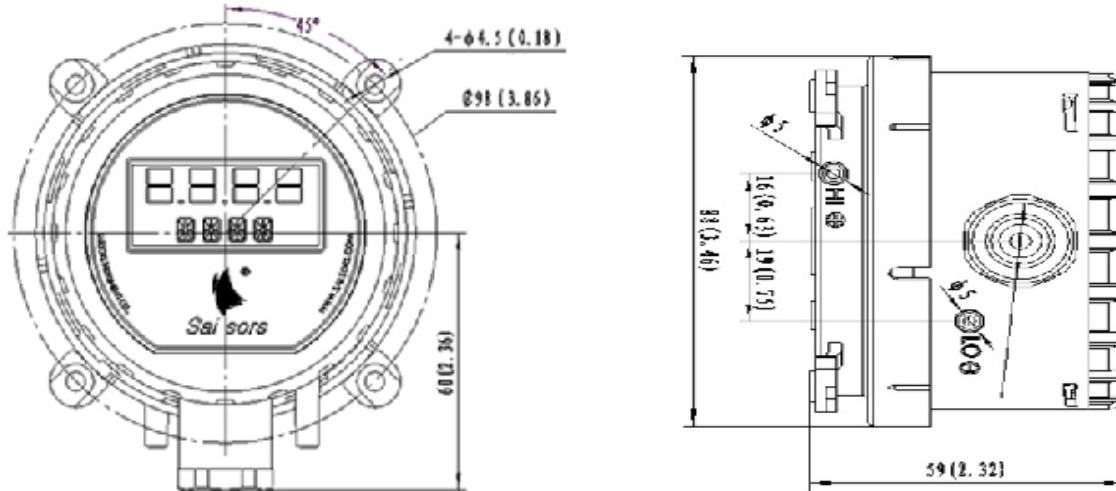
**Process connections:** 3/16" (5mm) ID tubing; max. OD 9mm.

**Enclosure rating:** IP65.

**Mounting orientation:** Vertical.

# A6 Multi-Range Differential Pressure Transmitter

## Dimensions(mm)



## Ordering Information

### Model Chart

|  |                  |    |                             |                       |
|--|------------------|----|-----------------------------|-----------------------|
| Model No.  |                  |    |                             |                       |
| A6 Multi-Range Differential Pressure Transmitter |                  |    |                             |                       |
| Range Type                                       |                  |    |                             |                       |
| DP Unidirectional Ranges                         |                  |    |                             |                       |
| 1  | 25, 50, 100Pa    | 2  | 250, 500, 1250Pa            | 3 750Pa, 1500Pa, 2KPa |
| 4  | 1, 2, 3KPa       |    |                             |                       |
| TP Bidirectional Ranges                          |                  |    |                             |                       |
| 1  | ±25, ±50, ±100Pa |    |                             |                       |
| Output   |                  |    |                             |                       |
| A1   | 4-20mA (2-wire)  |    |                             |                       |
| V1   | 0-10V (3-wire)   | V2 | 0-5V (3-wire)               |                       |
| Accessories                                      |                  |    |                             |                       |
| M1   | LCD              | S1 | 196mm static pressure probe |                       |
| A6   | DP1              | A1 | M1                          | Example               |