

# Pressure Gauge with Electric Contact

## Model. DS-1060D Series

# DAESHIN

### Summary

DS-1060D Series는 지시계에 접점 기구를 조립하여 넣은것으로서  
압력의 지시는 물론, 내장되어 있는 접점기구에 미리 설정시켜 놓은  
압력에서 전기신호를 보내어 정보 및 제어를 할 수 있도록 설계  
제작 되어 있습니다.

### Diameter

100 mm

### Accuracy

100 mm :  $\pm 1.0$  of Full Scale

### Scale Range

100,150 mm : -0.1 ~ 0 Mpa, -0.1 ~ 2 Mpa, 0 ~ 100Mpa

### Working Pressure

정압력 : 75% of Full Scale

변동압력 : 60% of Full Scale

### Working Temperature

기체 : -20 ~ 65°C

유체 : -20 ~ 80°C



Model. DS-1061D

Pressure Gauge

Accessories

Thermometer

Thermocouple & R.T.D

Thermowell

## Standard features

### Pressure connection

STS 316

### Element

STS 304, STS 316

C Type Bourdon Tube or Helical Tube

### Case,Cover

STS 304

### Window

Poly Carbonate

### Movement

STS 304

### Dial

Aluminum

White Coating

### Pointer

Phosphor Bronze

Black Coating

### Type

DS-1061D (Rimless Type)

DS-1062D (Surface Type)

DS-1063D (Flush Mounting Type)

DS-1064D (Panel attachment Type)

### Process connection

100mm : 1/4", 3/8", 1/2" PT & NPT, PF

### Contact Rating

AC 220V 0.7A / 1.0A

### Contact Type

High and Low 2 Contact  
(High or Low, High & High,  
High & Low, Low & Low)

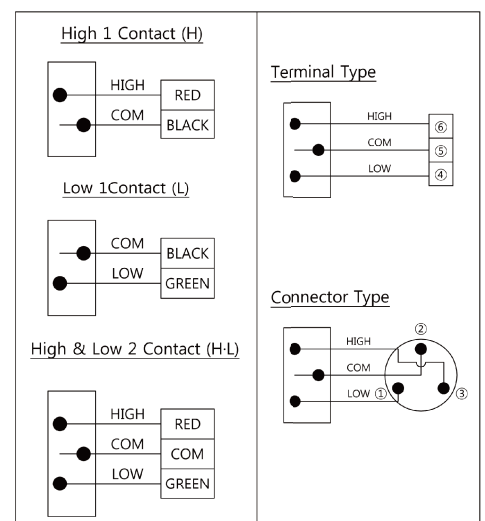
### Option

Bracket

Throttles

Accessories

### Connection Diagram

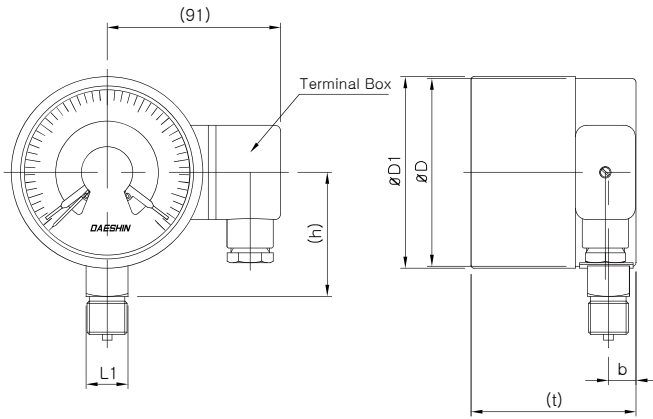


# Pressure Gauge with Electric Contact

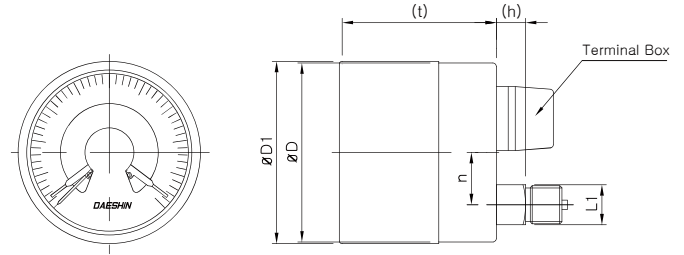
## Model. DS-1060D Series

# DAESHIN

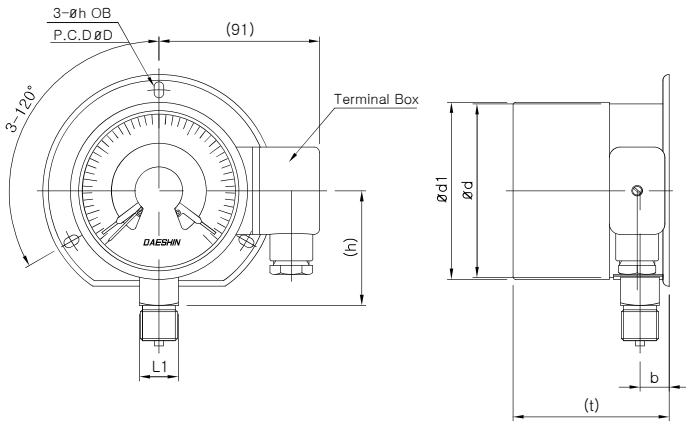
### 외형도



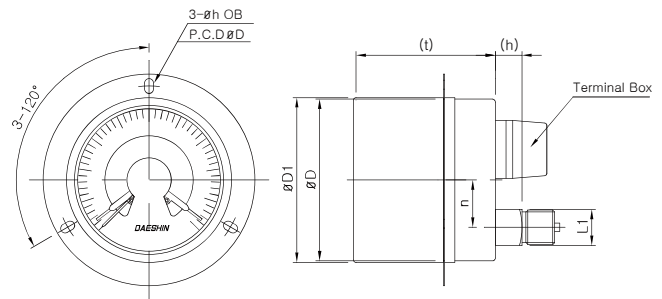
Model. DS-1061



Model. DS-1062



Model. DS-1063



Model. DS-1064

### 표준사양

Dimensions (mm)

Dial	Model No.	Ød	Ød1	Ød2	b	n	t	L1	h	Øh(OB)	ØD
100	DS-1061D/1062D	98.7	100.5	132	17	-	(86.5)	22	(66.5)	5.5 x 8	118
	-				32	(20.5)					

Pressure Gauge

Accessories

Thermometer

Thermocouple & R.T.D

Thermowell