

SCONI-1000 Series

1. SCONI-1000series Indicator Multi 16bit A/D Converter

2. Range

	Type		Scale
TC ()	B (PR)	TC-B	0 ~ 1800
	R (RR)	TC-R	0 ~ 1750
	S (PR)	TC-S	0 ~ 1750
	K (CA)	TC-K	-250 ~ 1350
	E (CRC)	TC-F	-199.9 ~ 700.0
	J (IC)	TC-J	-199.9 ~ 800.0
	T (CC)	TC-T	-199.9 ~ 400.0
	N (NN)	TC-N	-250 ~ 1350
RTD ()	DPT100Ω	D-PT	-199.9 ~ 800.0
	JPt100Ω	J-PT	-199.9 ~ 600.0
DC Volt	±100mV	MV	-1999 ~ 9999
	±1V	1V	-1999 ~ 9999
	±10V	10V	-1999 ~ 9999
DC mA	4~20mA	20MA	-1999 ~ 9999
	2wire	20MA	-1999 ~ 9999

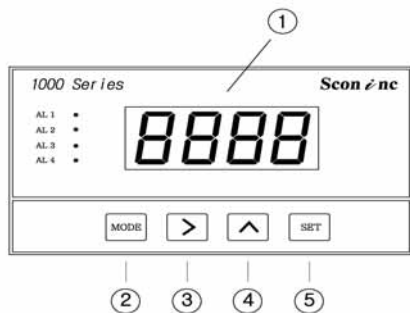
* 4~20mA DC (2wire) , 250 (±0.1% 25ppm)

* POTENTIOMETER (가) :

PMC	100 ~ 100KΩ (FREE)	PMC	-1999 ~ 9999
-----	--------------------	-----	--------------

SCONI-1000L Large Display Type (OPTION)
SCONI-1000N 5DIGIT Display Type (OPTION)
Range -19999 ~ 99999

3.



MODE Key : Data Operation
Menu
> Key : Data
Key : Data
SET Key: Data Mode

4. /

	Volt Type : 400kΩ, mA Type : 250 Type : 1MΩ
	Pt100 : 30 /Line , : 1k /Line
Sensor Power	DC 24V / 80mA, ± 0.5%
	100ms (Volt, mA) , 200ms (T/C, RTD)
Relay	AC 125V (2A) , DC 30V (2A)
(ModBus)	RS 485 (4800, 9600, 19200,38400 Bps) ID(Address) : 01~99 (32) Data : 8Bit data. Even Parity 1Stop Protocol : ModBus 1.1 RTU
	Filter
	NONE(FAST), 4, 8, 16, 32 0.2% of Span at 23 0.1% of Span 4~20mA DC (0 ~ 600) 0~10V DC (10kΩ or more) 100MΩ (1000V DC) / / AC 1500V/ min AC 85 ~ 264V (50/60Hz) 10VA DC 24V ±10%, 200mA (5W) -10 ~ 60 10 ~ 90% 330g (AC), 330g (DC)
/	Flame-resistant resin / Gray W 96 x H 48 x D 112 (mm)
Cutting Size	W 92.5 x H 44.5 (mm) Panel Flush

5.

5.1 INP OUT Data (New)
Tester Mode Key

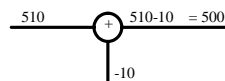
5.2 Display Scaling (mV, V, mA, PMC)
Scale Range Display(PV)

5.3 Scaling Scale 4~20mA 0~10V DC
가

5.4 S-AD Sensor

Display

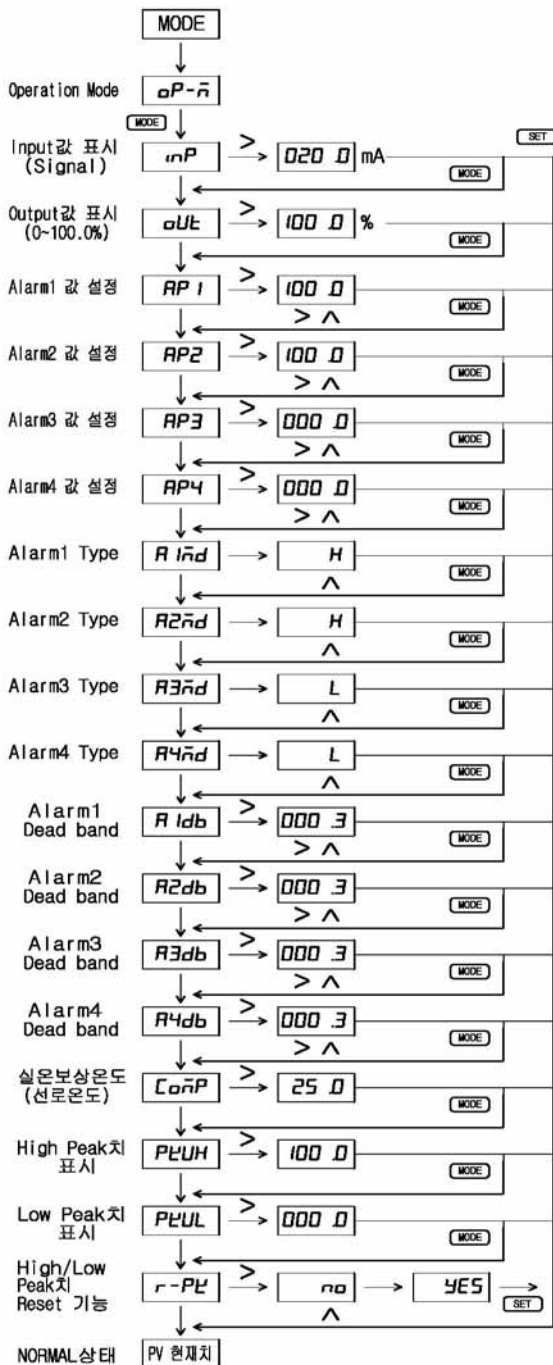
) Sensor : 510
Sensor
= +
= 510 - 10
= 500



5.5 FUNC Function (Sensor가 mV,Volt, mA, PMC)
LMT (Limit) : "0" 가 가
LIN (Linear) : Display -
ROOT (Root Square) :
SQR (Square Root) :

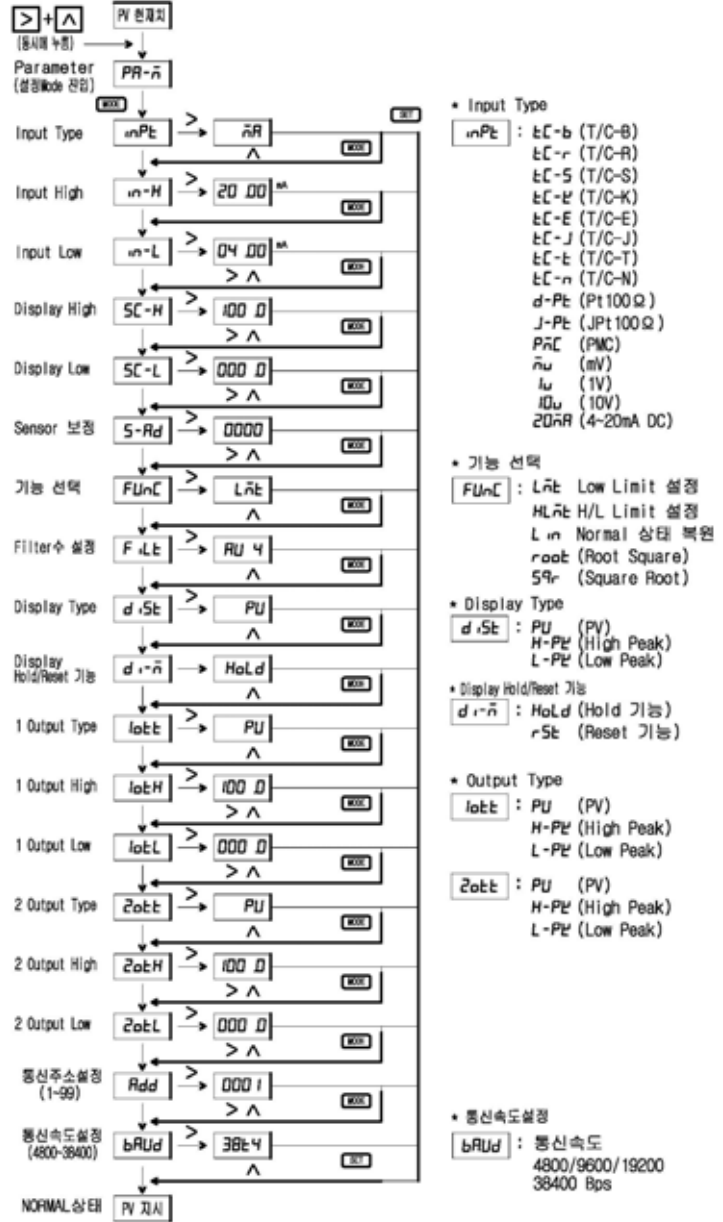
- 5.6 **FILT** Filter
NONE, 4, 8, 16, 32
- 5.7 **ADD** **BAUD** NOISE
RS485 (ModBus) Computer
가 가
- 5.8 Alarm Type Alarm dead band 가
- 5.9 Input High peak, Low peak 가
- 5.10 Hold Reset (Option)
- 5.11 High Peak Low Peak
- 5.12 Alarm Control
Alarm type 3,4 Center Alarm Relay3 Control
AP-3 on AP-4 off
EX) AP-3 → 40.0% , AP-4 → 60.0%

6. MODE



7. MODE

EX) INPUT : 4~20mA DC, Range : 0.0 ~100.0%
Output1 : AL-4, Output2 : 4~20mA DC
Power : AC 85~264V



8.

