

SCONI -1500N

1.

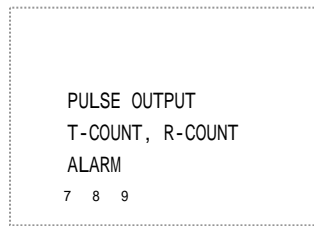
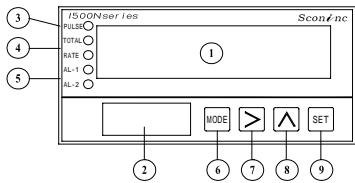
SCONI-1500 Pulse, ,
Multi TOTALIZER (Count) , (Rate)

2.

	RANGE	SCALE	
mA(Volt)	DC 4~20mA	0000 ~ 9999	RNG0
PULSE 1	0.1~10Hz	0000 ~ 9999	RNG1
PULSE 2	1~100Hz	0000 ~ 9999	RNG2
PULSE 3	10~1kHz	0000 ~ 9999	RNG3

mA 250 / ± 0.1% 25ppm

3.



4.

4.1 Function (FUNC)

4.1.1 LIN

4.1.2 LIMIT

Level Zero
Limit Zero

4.2 ALARM MODE BATCH

4.2.1 RATE (RATE ALARM : 2POINT)

(Rate Value)

4.2.2 RCNT (COUNT ALARM + RATE ALARM)

AL-1 Reset Over Alarm
AL-2 Alarm

4.2.3 CNT (2 BATCH (COUNT) ALARM)

Reset Over Alarm
Reset 가
BATCH AL-1 , BATCH-Hysterisis
, AL-2가 AL-1 ON
Reset count Reset Alarm Reset

4.2.4 DOSG (BATCH (DOSAGE))

Count 가
2

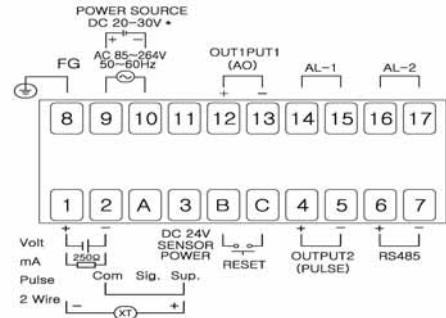
가
BATCH Hysterisis , Reset
AL-1, AL-2 Relay 가 ON BATCH-Hysterisis
AL-2 RELAY가 OFF
BATCH AL-1 RELAY가 OFF

* RELAY(DRY C.)

4.3 ZERO TIME

Zero (Pulse)가
00~99 가 (PULSE)가
) 10 가 (PULSE)가
10 가 (PULSE)가
가 LOW SCALE(ZERO)

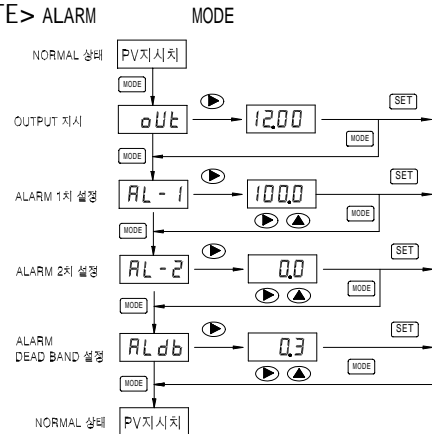
5.



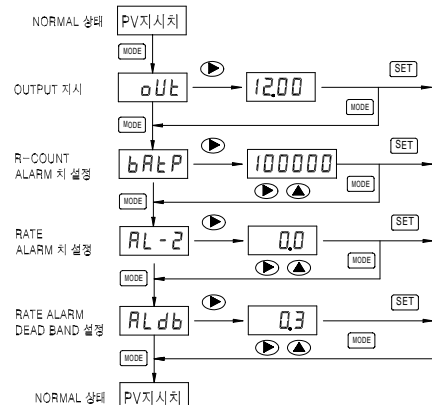
6.

MODE

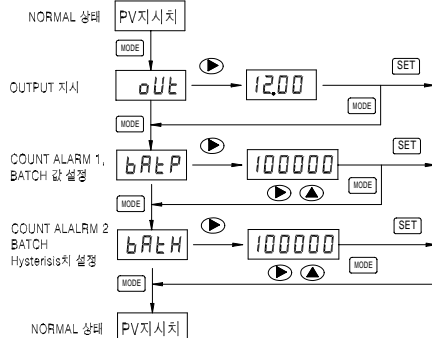
6.1 <RATE> ALARM MODE



6.2 <RCNT> ALARM and (Batch) Mode



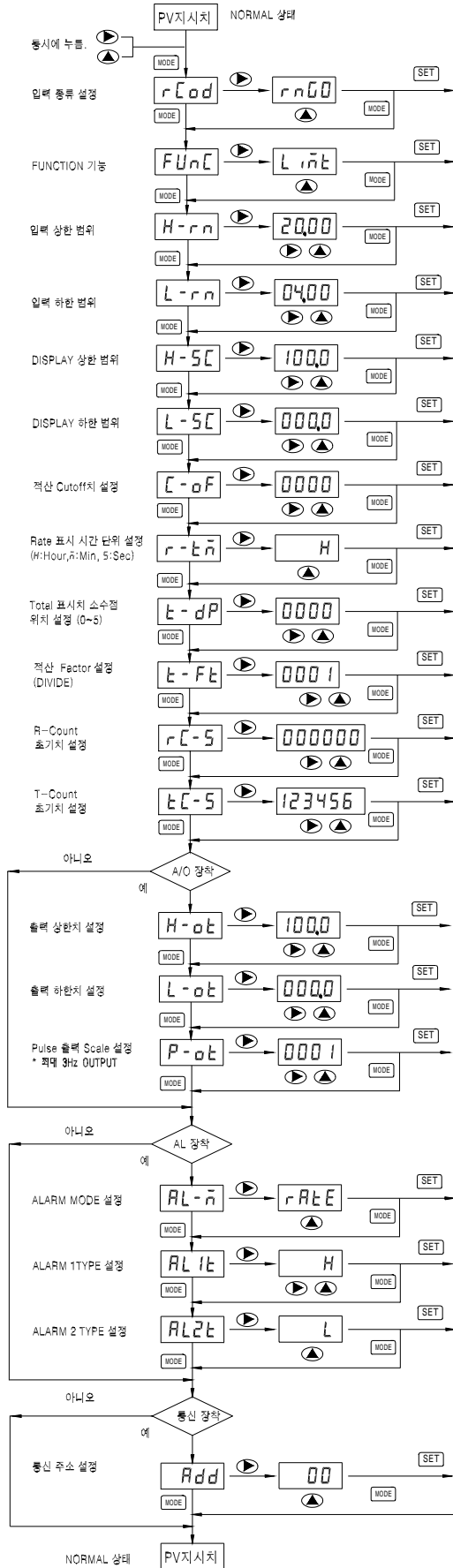
6.3 <CNT OR DOSG> ALARM (Batch) Mode



7. MODE (가)

7.1 mA <Range code :RNGO>

例) Input : 4~20mA DC, Range : 0.0~100.0%
Output1 : AL-2, Output2 : A/O, Output3 : Pulse



7.2 Pulse

<Range code : RNG1-3>

例) : K-FACTOR - Pulse/Liter :10[P/L]
MAX - 36,000[L](36Ton)/h
: * TON
- R-TM : H (Hour)
: MAX /3,600[sec]*K-FACTOR
= 36,000[L]/3,600[s]*10=100[Hz] → RANG : RNG3
C-FT(:) :K-FACTOR*1,000
=10*1,000=10,000[P/Ton]

T-FT (DIVIDE)

T-FT	0.01	0.1	1	10	100	1000
COUNT	100	10	1	0.1	0.01	0.001

