

SCONI-2000 Series

1. SCONI-2000series Converter Multi
16bit A/D Converter

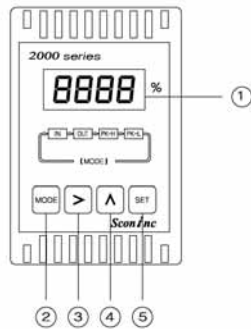
2. Range

	Type		Scale
TC ()	B (PR)	TC-B	0 ~ 1800
	R (RR)	TC-R	0 ~ 1750
	S (PR)	TC-S	0 ~ 1750
	K (CA)	TC-K	-250 ~ 1350
	E (CRC)	TC-E	-199.9 ~ 700.0
	J (IC)	TC-J	-199.9 ~ 800.0
	T (CC)	TC-T	-199.9 ~ 400.0
	N (NN)	TC-N	-250 ~ 1350
RTD ()	DPt100Ω	D-PT	-199.9 ~ 800.0
	JPt100Ω	J-PT	-199.9 ~ 600.0
DC Volt	±100mV	MV	-1999 ~ 9999
	±1V	1V	-1999 ~ 9999
	±10V	10V	-1999 ~ 9999
DC mA	4~20mA	20MA	-1999 ~ 9999
	2wire	20MA	-1999 ~ 9999

* 4~20mA DC (2wire) Input 250
(±0.1% 25ppm)
* POTENTIOMETER (가) :

PMC	100 ~ 100KΩ (FREE)	PMC	-1999 ~ 9999
-----	-----------------------	-----	--------------

3.



“MODE” Key- data Operation
Menu
“ ” Key-
“ ” Key-
“SET” mode

4. /

	Volt Type : 400kΩ, mA Type : 250 Type : 1MΩ
	Pt100 : 30 /Line , : 1kΩ/Line
Sensor Power	DC 24V/80mA, ± 0.5%
	100ms (Volt, mA) , 200ms (T/C, RTD)
(ModBus)	RS485 (4800, 9600, 19200, 38400 bps)
	ID (Address) : 01 ~ 99
	Data : 8Bit data, Even Parity 1Stop
	Protocol : ModBus 1.1 RTU
Filter	NONE(FAST) 4, 8, 16, 32
	0.2% of Span at 23
	0.1% of Span
	4~20mA DC (0 ~ 600)
	0~10V DC (1kΩ or more)
	, 100MΩ (1000V DC)
	/ / AC 1500V/ min
	AC 85~264V (50/60Hz) 10VA
	DC 24V ±10%, 200mA, 5VA
	-10 ~ 60
	10 ~ 90%
	300g (AC/DC)
/	Flame-resistant resin / Black
	8 Pin : W48 x H80 x D122 (mm) 11 Pin : W48 x H80 x D130 (mm)
	Wall DIN Rail

5.

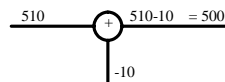
5.1 **INP** **OUT** Data (New)
Tester Mode Key

5.2 Display Scaling (mV, V, mA, RTD)
Scale Range Display(PV)

5.3 Scaling Scale 4~20mA 0~10V DC
가

5.4 **S-AD** Sensor Display

) Sensor : 510
Sensor
= +
= 510 - 10
= 500



5.5 **FUNC** Function (Sensor가 mV, Volt, mA, PMC)
LMT (Limit) : “0” 가 가
LIN (Linear) : Display -
ROOT (Root Square) :
SQR (Square Root) :

5.6 **FILT** Filter
NONE, 4, 8, 16, 32
NOISE

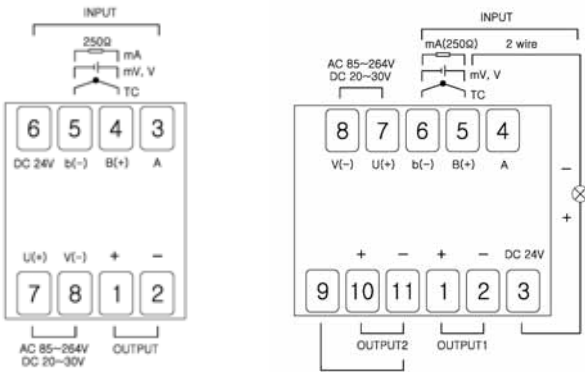
5.7 **ADD** **BAUD**
RS485 (ModBus) 가 가 Computer

5.8 Input High peak, Low peak 가

5.9 Hold Reset (Option)

5.10 High Peak Low Peak

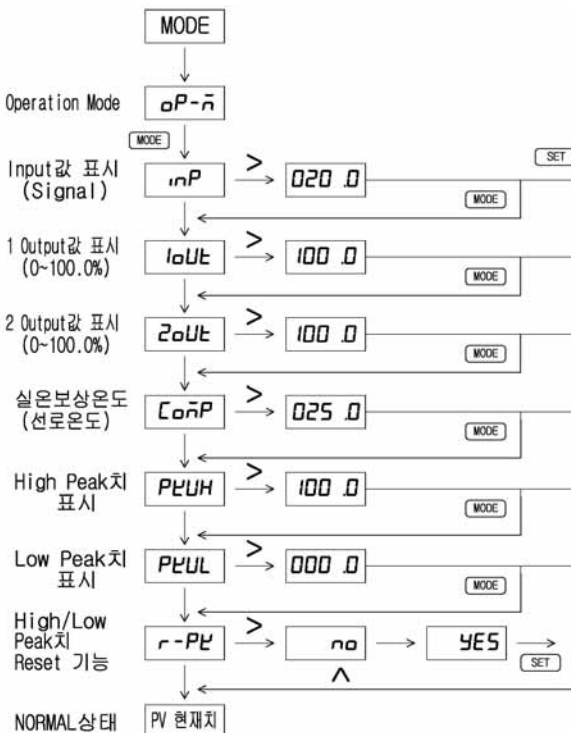
6.



(1 POINT)

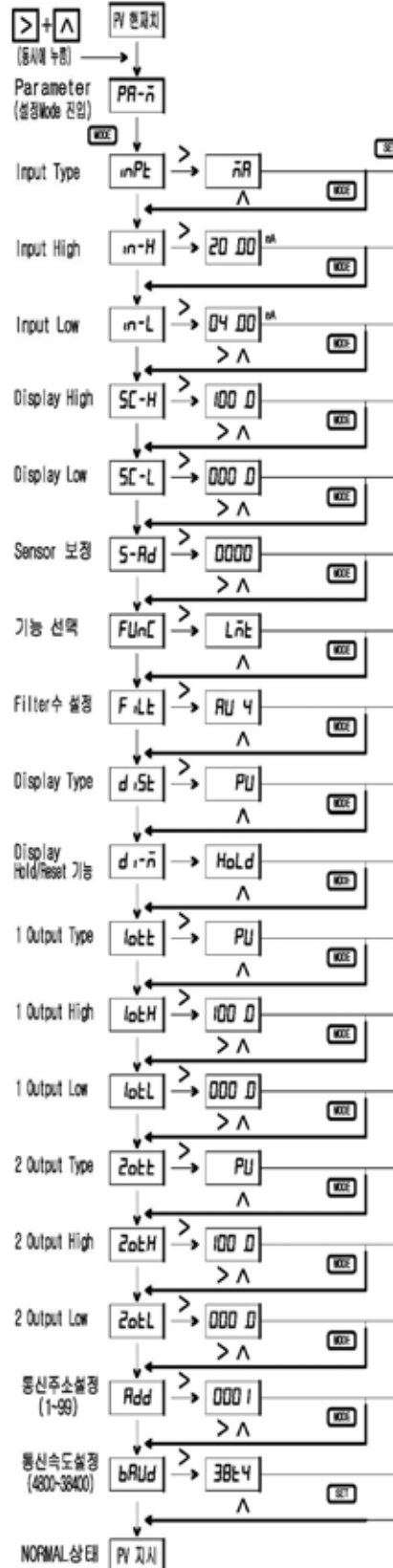
(2 POINT)

7. MODE



8. MODE

EX) INPUT : 4~20mA DC, Range : 0.0~100.0%
Output1 : 4~20mA DC Output2 : 4~20mA DC
Power : AC 85~264V



- * Input Type
 - inPE : E-C-b (T/C-B)
 - E-C-r (T/C-R)
 - E-C-S (T/C-S)
 - E-C-P (T/C-K)
 - E-C-E (T/C-E)
 - E-C-J (T/C-J)
 - E-C-t (T/C-T)
 - E-C-n (T/C-N)
 - d-PE (Pt100Ω)
 - J-PE (JPt100Ω)
 - PE (PMC)
 - nV (mV)
 - Iv (1V)
 - 10V (10V)
 - 20mA (4-20mA DC)

- * 기능 선택
 - FuNc : L-n Low Limit 설정
 - HL-n H/L Limit 설정
 - L-n Normal 상태 복원
 - root (Root Square)
 - 59r (Square Root)

- * Display Type
 - d.St : PU (PV)
 - H-PE (High Peak)
 - L-PE (Low Peak)

- * Display Hold/Reset 기능
 - d.r-n : HoLd (Hold 기능)
 - rSt (Reset 기능)

- * Output Type
 - 1oUt : PU (PV)
 - H-PE (High Peak)
 - L-PE (Low Peak)
 - 2oUt : PU (PV)
 - H-PE (High Peak)
 - L-PE (Low Peak)

- * 통신속도설정
 - bAUd : 통신속도
 - 4800/9600/19200
 - 38400 Bps