

SCONI -2500

1. SCONI-2500 Series Multifunction Converters 3CH(T/C,mV,Volt,mA)
 (Adder, Multiplication, Divider, Square root)
 (High value selector, Low value selector)
 16 bit A/D Converters

2. SCONI -2500

- 3 CH
 - 16 bit A/D Converters

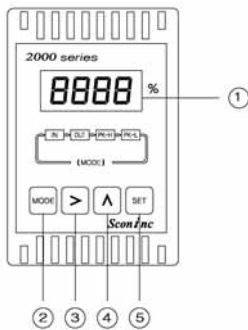
가
 Channel, Gain, Bias
 Scaling

3.

Type	Range	Scale	
TC	R(PR13%)	0 ~ 1750	TC-R
	K(CA)	-200 ~ 1350	TC-K
	E(CRC)	-200.0 ~ 700.0	TC-E
	J(IC)	-200.0 ~ 800.0	TC-J
	T(CC)	-200.0 ~ 400.0	TC-T
Volt	mV	-50 ~ 50mV	MV
	Volt	- 10 ~ 10V	V
mA	mA	4 ~ 20 mA	MA

mA 250 (±0.1% 25ppm)

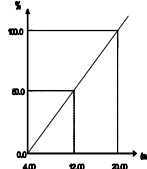
4.



“MODE” Key- data Operation
 Menu
 “ ” Key-
 “ ” Key-
 “SET” mode

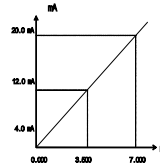
5.

5.1 Range Scaling (HRN1, OR LRN1 : CH2,3)
 Range Channel Display
 T/C
 Scale 0.0~100.0
 Type mA, Range 4.00~20.00 mA



HIGH RANGE : 20.00mA
 LOW RANGE : 4.00mA

5.2 Scaling (H10T OR L10T)
 scale 4-20mA 가
 Display 가 0.000~7.000m 4-20mA



High out Scale : 7.000
 Low out Scale : 0.000

5.3 MATH FUNCTION (F-SL)

K0, K1, K2, K3
 = Scale Parameter (Setting Range : 0.01~99.99, -0.01~-19.9)
 A0, A1, A2, A3
 = Offset Parameter (Setting Range : 0.0~999.9, -0.0~-199.9)

5.3.1 ADDER (ADD)

5.3.2 MULTIPLICATION (MULT)

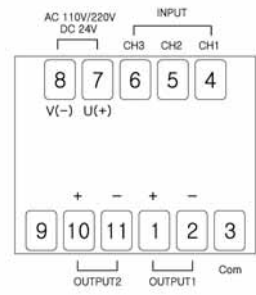
5.3.3 DIVISION (DIV)

5.3.4 SQUARE ROOT (SQRT)

6.



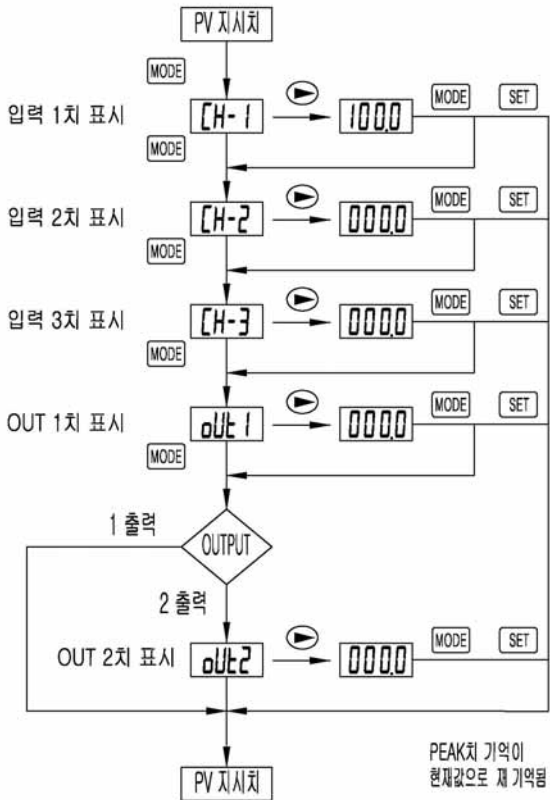
(1 POINT)



(2 POINT)

7. MODE

ALARM PEAK
 . PEAK EEP-RPM
 10 mA
 . ALARM (or)
 MODE가



8. DATA

- 8.1
 - 8.2 KEY
 - 8.3 KEY DIGIT
 - 8.4 KEY
 - 8.5 (MODE) KEY
 - 8.6
- [D-PT] KEY

9. MODE

) Input : 4~20mA DC Range : 0.0~100.0%
 Output 1 : 4~20mA DC Output 2 : 4~20mA DC

