

SH7300A

pH(ORP) TRANSMITTER

SPEC-3122E

THE SH7300 IS A MICROPROCESSOR BASED DIGITAL pH(ORP) TRANSMITTER PROVIDES DIGITAL FIELD INDICATOR WITH 2 WIRED 4-20mA OUTPUT AND 24VDC POWER INPUT.

- DUAL DISPLAY
- AUTOMATIC BUFFER CALIBRATION
- EVENT OUTPUTS STANDARD
- SIMPLE FRONT OPERATION
- SELF DIAGNOSTICS

SPECIFICATIONS

Input: Glass electrode (pH) with pre-amplifier or metal electrode (ORP)

Range: 0.00-14.00pH or -1.500-1.500V (ORP)

Output: Programmable, 4pH in span min. 1pH increment (0.1V at ORP)

Output: 4-20mA DC isolated, 2-wired, 550Ω max.

Display: Process variable, temperature, 4 digit, LCD

Linearity: ±0.03pH (±3mV) or ±0.3% whichever larger

Repeatability: ±0.01pH (±1mV) or ±0.1% whichever larger

Buffer calibration: JIS standard buffer, auto-calibration

Error detection: pH 0.00pH (-1.5V of ORP) and below, pH 14.0pH (1.5V of ORP) and above, temp. -25°C and below, temp. 150°C and above, electromotive force error at 7pH buffer solution and per pH, identification of error contents on the display

Temperature compensation: 0-100°C, Pt1000Ω at 0°C (at 25°C by manual) temperature sensor

Temp. cable compensation: Automatic

Key lock: Prevents set value from miss-resetting

Buffer calibration: JIS standard buffer, auto-calibration

Output hold: Programmable at process variable, alarm contact and error detector

Shift readout: 0.01pH increments within ±1.5pH



Solution temp. compensation (option):

0.010-0.050pH/°C for high purity water

Operation conditions: -10 to 60°C, 5 to 95%RH

Power input voltage: 24±6VDC

Cable conduit: G½ (PF½ female)

Case: Rain-proof equivalent to IP67 or NEMA4

Case color: Blue (Munsell 10B 5/10)

Mounting: 2" pipe or wall mount

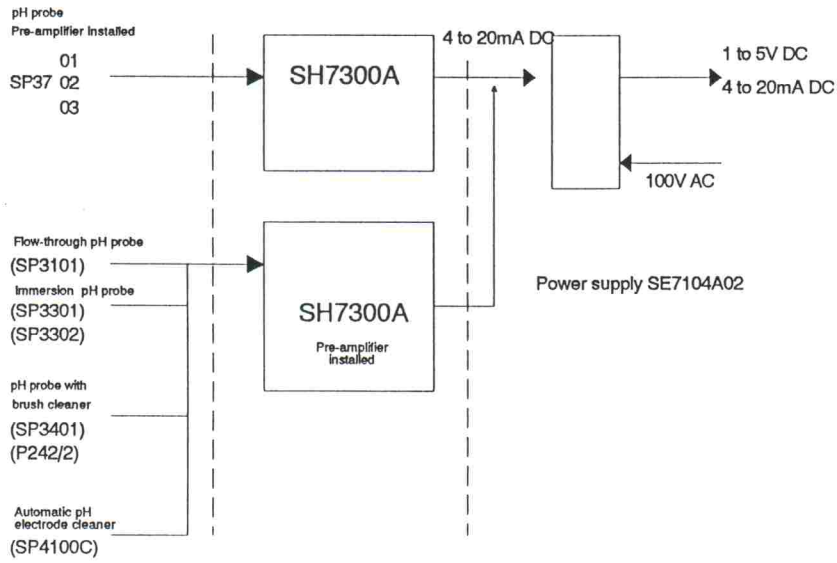
Material:

Case: aluminum casting

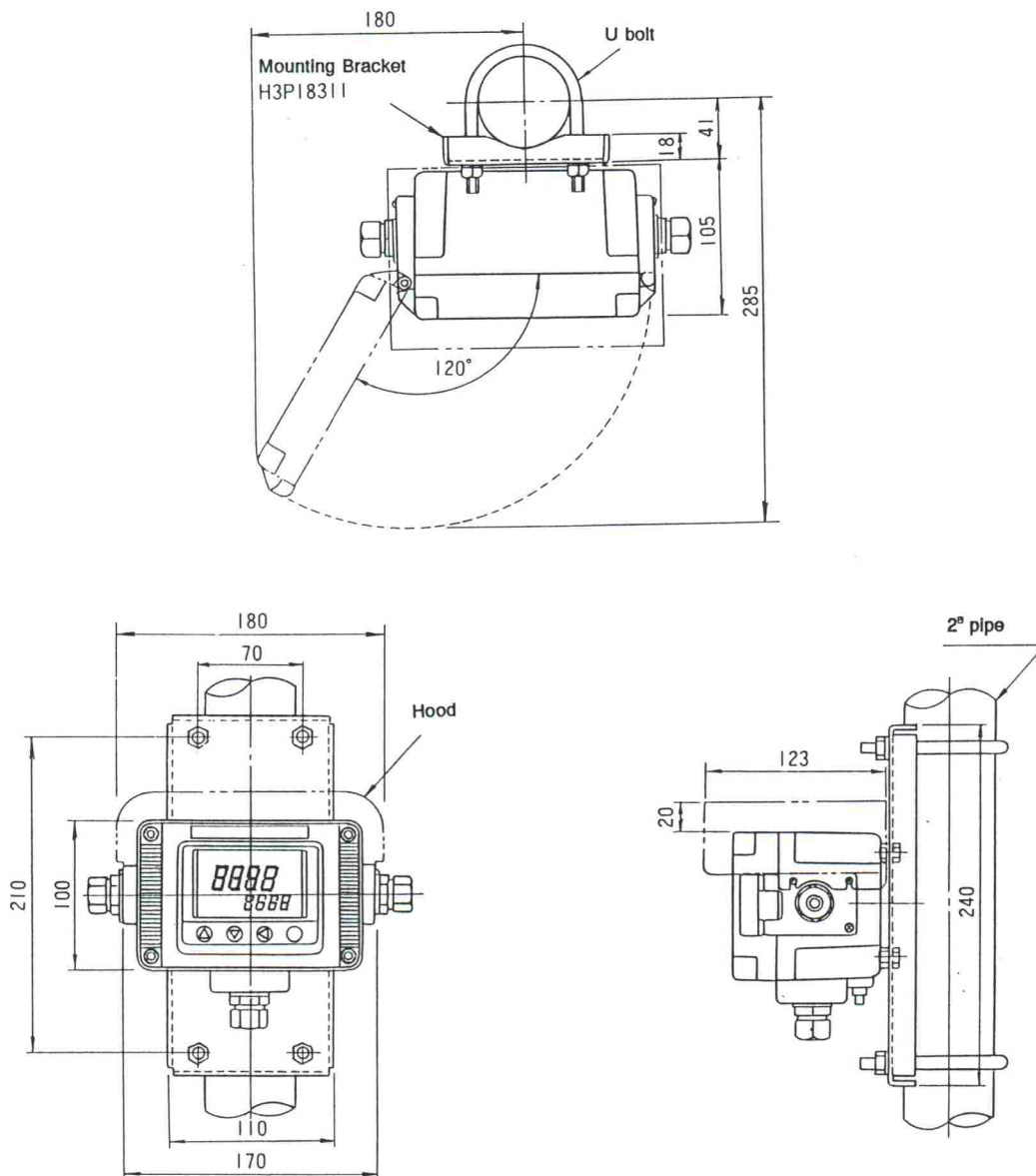
Top sheet: Polyester

Weight: Approx. 1.7 kg

PROBE & TRANSMITTER CONNECTION



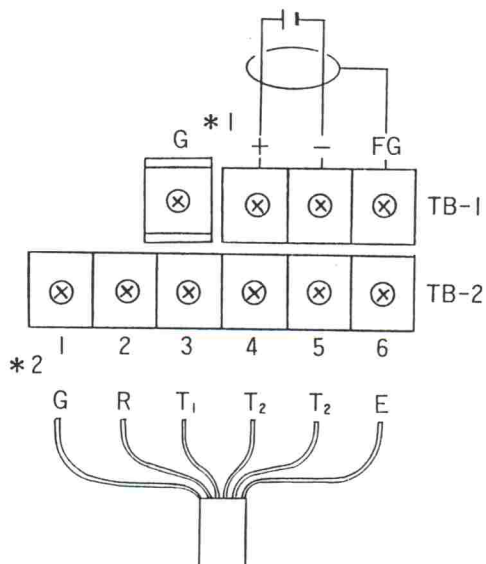
DIMENSIONS



MODEL CODE NUMBER

MODEL	DESCRIPTION	
SH73	Digital pH (ORP) transmitter, dual display	
	CODE	INPUT
	01A 02A 03A	Glass electrode ORP electrode pH Metal electrode (Antimony), direct connection with P242/2
	CODE	PRE-AMPLIFIER
	0 1	None Installed (Required in direct connections with P242/2, SP3101/3301/3302/3401/4100C)
	CODE	SOLUTION TEMPERATURE COMPENSATION
	00 10	None Installed
	CODE	OPTION
	N A B C	None Mounting Bracket Hood Mounting Bracket & Hood
	CODE	CUSTOM
	0 1	None Custom (Consult)

TERMINAL ASSIGNMENT



Note 1: To be connected to TB-1 G in case of pre-amplifier is installed in SH7300.

Note 2: To be connected to TB-2 1 in case of pre-amplifier is installed in probe.