

SIGNAL DISTRIBUTOR

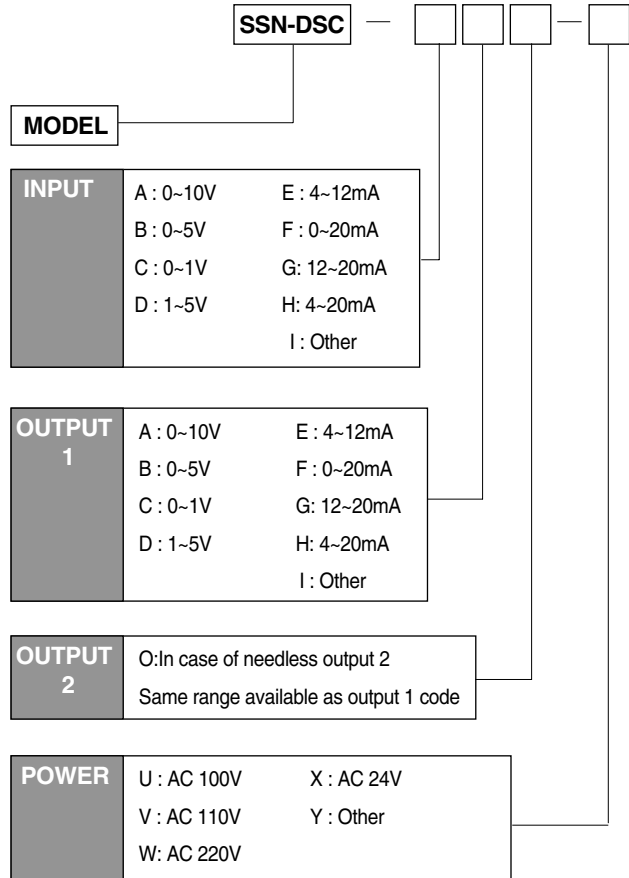
SSN-DSC



A converter is used to distribute DC signal in isolated condition.

- Isolation between control room and field instruments.
- 1 or 2 outputs are available from 1 input.
- Contains overvoltage protection circuit.
- Transformer isolation type.

MODEL & SUFFIX CODE SELECTION



GENERAL SPECIFICATIONS

Isolation/Type	Input to output to power/Transformer isolation type		
Power Supply	AC rating $\pm 10\%$, approx 3.5VA		
Accuracy	$\pm 0.1\%$ (Max)		
Temp Coefficient	$\pm 0.015\%$ / $^{\circ}\text{C}$ ($\pm 0.008\%$ / $^{\circ}\text{F}$)		
Linearity	$\pm 0.02\%$ F.S		
Insulation Resistance	Greater than 100M Ω with DC 500V		
Dielectric Strength	Input — Power	AC 2500V	1 minute
	Input — Output		
	Output 1 — Output 2	AC 1000V	
	GND — Power		
Front Adjustments	Zero and Span $\pm 5\%$		
Ovrange Output	approx -10% ~ 110% at DC 1~5V		
Response Time	≤ 0.5 sec (0~90%)		
Operating Temperature/Humidity	-20~60 $^{\circ}\text{C}$ / 90%(N,C)		
Storage Temperature/Humidity	-20 $^{\circ}\text{C}$ ~80 $^{\circ}\text{C}$ / 95%(N,C)		
Dimensions	W40×H129×D138(mm)		
Case Material	Aluminum		
Weight	about 400g		
Mounting	Wall mounting		

INPUT & OUTPUT SPECIFICATIONS

Input Specification

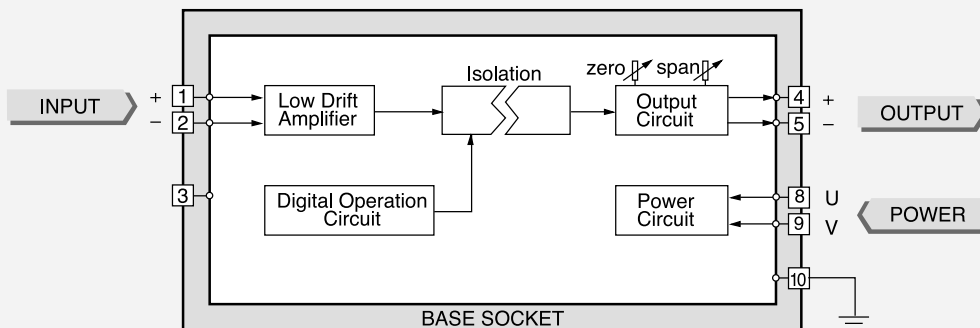
Input	Impedance
4~20mA	250Ω
0~20mA	250Ω
2~10mA	250Ω
1~5V	1MΩ (Min)
0~1V	1MΩ (Min)
0~10V	1MΩ (Min)

Output Load Resistance

Output	1 Point	2Point		Remark
	Output	Output-1	Output-2	
4 ~ 20mA	700Ω	600Ω	350Ω	(Max)
0 ~ 20mA	700Ω	600Ω	350Ω	(Max)
2 ~ 10mA	1200Ω	1200Ω	700Ω	(Max)
1 ~ 5V	5000Ω	5000Ω	5000Ω	(Min)
0 ~ 1V	1000Ω	1000Ω	1000Ω	(Min)

BLOCK DIAGRAM

1 Point Output



2 Point Output

