

CURRENT LOOP SUPPLY

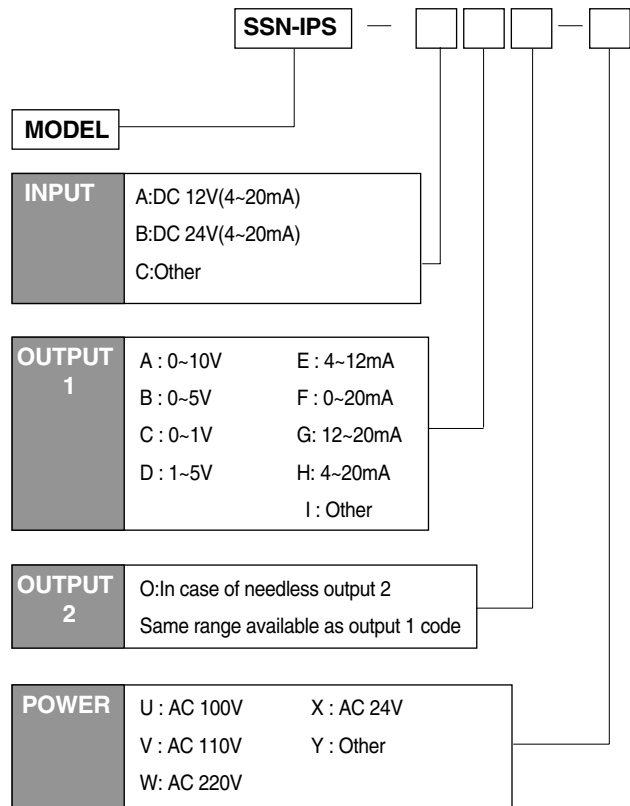
SSN-IPS



A converter is used to supply power to 2-wire current loop system transmitter and receives DC signal and provides isolated DC signal.

- Various 2-wire transmitters.
- Isolator application(4~20mA)
- 1 or 2 outputs are available from 1 input.
- Contains overvoltage protection circuit.
- Transformer isolation type.

MODEL & SUFFIX CODE SELECTION



GENERAL SPECIFICATIONS

Isolation/Type	Input to output to power/Transformer isolation type		
Power Supply	AC rating $\pm 10\%$, approx 4VA		
Accuracy	$\pm 0.1\%$ (Max)		
Temp Coefficient	$\pm 0.015\%$ / $^{\circ}\text{C}$ ($\pm 0.008\%$ / $^{\circ}\text{F}$)		
Linearity	$\pm 0.02\%$ F.S		
Insulation Resistance	Greater than 100M Ω with DC 500V		
Dielectric Strength	Input — Power	AC 2500V	1 minute
	Input — Output		
	Output 1 — Output 2		
	GND — Power		
Front Adjustments	Zero and Span $\pm 5\%$		
Ovrange Output	approx $-10\% \sim 110\%$ at DC 1~5V		
Response Time	≤ 0.5 sec (0~90%)		
Operating Temperature/Humidity	$-20\sim 60^{\circ}\text{C}$ / 90%(N,C)		
Storage Temperature/Humidity	$-20\sim 80^{\circ}\text{C}$ / 95%(N,C)		
Dimensions	W40×H129×D138(mm)		
Case Material	Aluminum		
Weight	about 400g		
Mounting	Wall mounting		

INPUT & OUTPUT SPECIFICATIONS

Input Specification

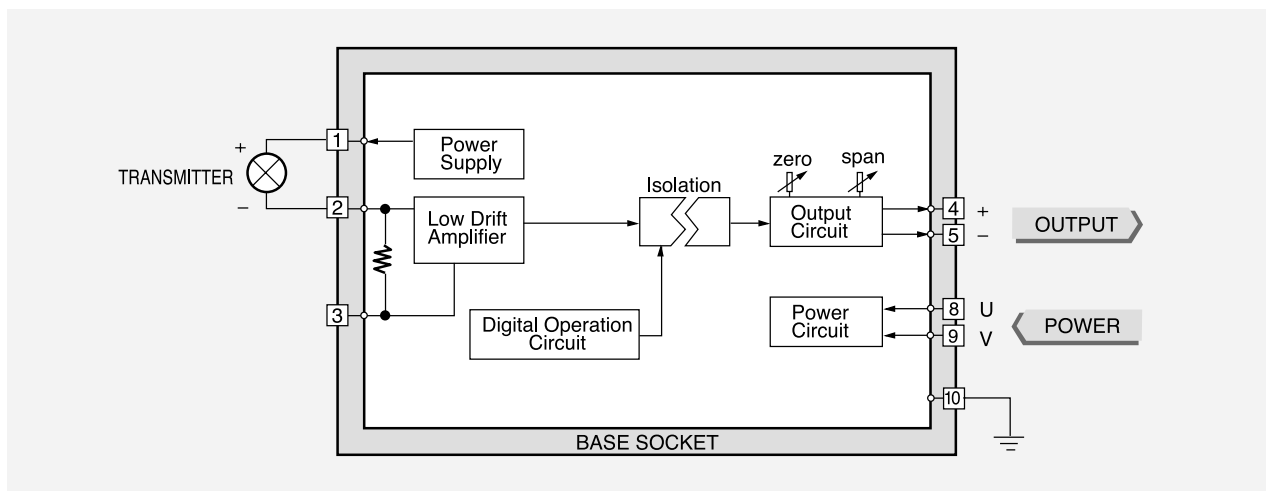
Specification	Report
Supply range	24~28V(with no load)
Current rating	22mA(Max)
Current limited	30mA(Max)
Input impedance	250Ω

Output Load Resistance

Output	1 Point	2Point		Remark
	Output	Output-1	Output-2	
4 ~ 20mA	700Ω	600Ω	350Ω	(Max)
0 ~ 20mA	700Ω	600Ω	350Ω	(Max)
2 ~ 10mA	1200Ω	1200Ω	700Ω	(Max)
1 ~ 5V	5000Ω	5000Ω	5000Ω	(Min)
0 ~ 1V	1000Ω	1000Ω	1000Ω	(Min)

BLOCK DIAGRAM

1 Point Output



2 Point Output

