

General Specifications

MODEL UT351 Digital Indicating Controller with Active Color PV Display



GS 05D01D12-01E

General

Model UT351 Digital Indicating Controller is a highly accurate 1/4 DIN controller, provided with the PV display color changing function "Active Color PV Display." It has a large display for readings, universal input/output and excellent monitoring operability with Auto/Man switching key. In addition, auto-tuning, the overshoot suppressing function "SUPER", the hunting suppressing function "SUPER2" and heating/cooling control are available as control functions, and a retransmission of variables and a 15V DC loop power supply are also equipped as standard. A communication function or 24V DC loop power supply is available optionally. As described above, the UT351 is a controller provided with higher functions and capability.

Main Features

- Extra-large digital display allows the indicated values to be read even from a long distance. LEDs of 20mm height are used for the process variable display.
- The PV display color changing function "Active Color PV Display" is provided. PV display color is changed from green to red and vice versa when an alarm occurs or deviation becomes large. The color also can be fixed in green or red.
- Universal input and output enable users to set or change freely the type of measured inputs(thermocouple, RTD, or DCV), measurement range, type of control output(4 to 20mA current, voltage pulse, or relay contact) from the front panel.
- Parameters can be easily set using a personal computer. ("Parameter setting tool (model LL100)" sold separately is required.)
- Various communication functions are provided. Communication is possible with personal computer, programmable logic controller, and other controllers.

Functional Specifications

Control Computation Functions

Control computation:

Can be selected from the following types:
Continuous PID control, Time-proportional PID control, Heating/Cooling control (for heating/cooling type only) or Relay ON/OFF control.

Control cycle time: 250 ms

Number of sets of target setpoints and PID parameters: 4

Target setpoint and PID selection:

PID parameters are provided for every target setpoint and the set of PID parameters are selected at the same time that the setpoint number is selected.

Zone PID selection:

PID parameters are selected depending on the value of the PV. For selection, the reference point (PID parameter selection setpoint) or the reference deviation is used.

UT351



Display in green or red color

UT351E

"E" indicates the model with expanded functions.

Reference point method:

The measuring input range is divided into a maximum of three zones with up to two reference points, and PID parameters are selected (No. 1 PID to No. 3 PID) for every zone.

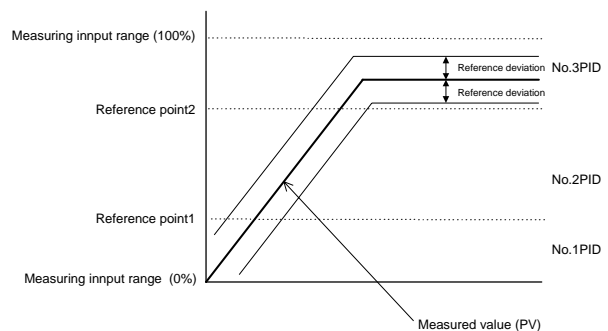
$$\text{Reference point} = \text{Measuring input range (0\%)} \leq \text{Reference point 1} \leq \text{Reference point 2} \leq \text{Measuring input range (100\%)}$$

$$\text{Reference point hysteresis} = \text{Fixed to 0.5\% of the measured input range span.}$$

Reference deviation method:

PID parameters (No. 4 PID) are selected when the deviation exceeds the reference deviation. This process takes precedence over the reference point method.

$$\text{Reference deviation} = \text{OFF or 0.1 to 100.0\% of measured input range span}$$



Auto-tuning:

Available as standard. If auto-tuning is operated, PID constants are automatically set (limit cycle method).

"SUPER" function:

Overshoots generated by abrupt changes in the target setpoint or by disturbances can be suppressed.

“SUPER2” function:

The function stabilizes the state of control that is unstable due to hunting, etc. without requiring any change in PID constants, when the load and/or gain varies greatly, or when there is a difference between the characteristics of temperature zones.

Control Parameters Setting Range

Proportional band = 0.1 to 999.9%

0.0 to 999.9% for heating/cooling control,
0.0% for ON/OFF control

Integral time = 1 to 6,000s, or OFF (manual reset)

Derivative time = 1 to 6,000s, or OFF

Manual reset value = -5.0 to 105.0% of output range
(functions when integral time is off.)

ON/OFF control hysteresis = 0.0 to 100.0% of measured input range span (0.1 to 0.5% for heating/cooling control)

Setpoint rate-of-change setting = off, or 0.0 to 100.0%/h or min. of measured input range span.
A PV tracking function operates automatically when the setpoint is changed, the power is turned on, or the mode is changed from manual to automatic.

Direct/reverse action:

The output increase/decrease direction can be defined corresponding to a positive or negative deviation.

For heating/cooling control, it is fixed; for the heating side output, reverse, for the cooling side output, direct.

Anti-reset windup:

When controller output is limited, normal integration is superseded by an anti-reset windup computation to suppress over-integration.

Control output cycle time = 1 to 1000s for Time-proportional PID control (the cooling side output cycle time is also the same when heating/cooling control is used).

Preset output value = -5.0 to 105.0% of output range

Output tracking:

Whether the output bump is provided or not can be selected by changing the PID control mode.

Output limiter

Upper limit = Lower limit to 105.0% of output range

Lower limit = -5.0% of output range to upper limit

Heating/cooling dead band = -100.0 to 50.0% for output range

● Signal Computation Functions

Measured input computation:

Bias addition (-100.0 to 100.0% of measured input range width), and first-order lag filter (time constant off or 1 to 120s)

Contact input function:

Target setpoint selection, Auto/Man operating mode switching, key lock parameter display/non-display switching

Target setpoint selection can be done for either a 2-setpoint or 4-setpoint selection.

- If the 2-setpoint selection is set, Auto/Man mode switching can be used as well.

- If the 4-setpoint selection is set, Auto/Man switching and key lock parameter display/non-display switching cannot be used together. If key lock parameter display/non-display switching is used, target setpoint selection and Auto/Man mode switching cannot be used.

● Alarm Functions

Eighteen types of alarm functions are provided. The alarm status is indicated by the alarm lamp on the front panel. Also, three points among them can be output as relay contact outputs.

Alarm types:

PV high limit, PV low limit, Deviation high limit, Deviation low limit, De-energized on deviation high limit, De-energized on deviation low limit, Deviation high and low limits, High and low limits within deviation, De-energized on PV high limit, De-energized on PV low limit, SP high limit, SP low limit, Output high limit, Output low limit, Heater burnout alarm, Sensor grounding alarm, Fault diagnostic alarm, FAIL output.

Alarm output:

3 points. Any three points can be output as contact outputs among the above alarms. For heating/cooling control, if cooling side output is output as a relay contact, up to two alarm outputs can be used.

Setting ranges for PV, deviation, setpoint and output alarms:

PV/setpoint alarm:

-100.0 to 100.0% of measured input range

Deviation alarm:

-100.0 to 100.0% of measured input range span

Output alarm:

-5.0 to 105.0% of output range

Alarm hysteresis:

0.0 to 100.0% of measured input range span

Delay timer:

0.00 to 99.99 (minute, second)

An alarm is output when the delay timer expires after the alarm setpoint is reached.

Setting for each alarm is possible.

Stand-by action:

Stand-by action can be set to make PV/deviation alarm OFF during start-up or after SP change until SP reaches the normal region.

Heater burnout alarm (optional):

Two circuits incorporated

A heater burnout alarm is output if the heater current consumption is the burnout detection value or less. This alarm can be used for Relay ON/OFF control or time-proportional PID control.

Heater current setting range: 0.0 to 50.0 A

Setting accuracy: $\pm 5\%$ of span ± 1 digit

Heater current detecting resolution: 0.5 A

Time required until burnout detection is on:
0.2s minimum

Burnout sensor model: CTL-6-S-H(URD Co. Ltd.)

Sensor grounding alarm:

An alarm is output after detecting a change in control output. If the moving average * of control output is out of the setting range (between the high and low limits of the on/off rate) in spite of the deviation being within a fixed range (on/off rate detection band) and control being in stable condition, the sensor is judged to be in a grounding condition.

* Moving average refers to the average value for output values sampled (five times) in every cycle time.

High- and low-limit setting range of on/off rate: -5.0 to 105.0% of output range

Detection band of on/off rate: 0.0 to 100.0% of measured input range span.

Fault diagnostic alarm:

Input burnout, A/D conversion error, thermocouple reference junction compensation error

FAIL output:

Software failure and/or hardware failure
When in FAIL, control output, retransmission output and alarm output become 0% or OFF.

● Display and Operation Function

PV display: In 4-digit digital display for engineering data

Setpoint display:

Various data, such as the setpoint (SP), are displayed by selection on the 4-digit digital display.

Status indicating lamps:

3 alarm indicator lamps: AL1, AL2, AL3

3 setpoint number indicator lamps: SP2, SP3, SP4 (Go out when SP1 is selected.)

MAN operation mode lamp:

MAN (Lit in MAN mode.)

PV display color changing function “Active Color PV Display” :

(Factory-set default : Fixed in red mode)

This function automatically changes PV display color by the action described below. Green-to-red or red-to-green changing action is selectable.

Link to alarm 1 mode :

Alarm OFF : green, Alarm ON : red
Setting of Alarm OFF : red, Alarm ON : green is possible.

Link to alarms 1 and 2 mode :

Alarm OFF : green, Alarm ON : red
Setting of Alarm OFF : red, Alarm ON : green is possible.

SP deviation mode :

Within the preset SP deviation : green,
Out of the preset SP deviation : red
Setting of within the preset SP deviation : red,
Out of the preset SP deviation : green is possible.
Deviation band is changeable using a parameter. The setting of either high limit deviation or low limit deviation is also possible.

PV limit mode :

Within the preset PV range : green,
Out of the preset PV range : red
Setting of within the preset PV range : red,
Out of the preset PV range : green is possible.
The range (high limit and low limit) is changeable using a parameter.

Fixed color mode :

PV display color is fixed in green or red.

Operation keys:

△ and ▽ keys:

Increase or decrease setpoints and various parameters.

SET/ENT key:

Used for data setting or call-up/selection of various parameters

A/M key:

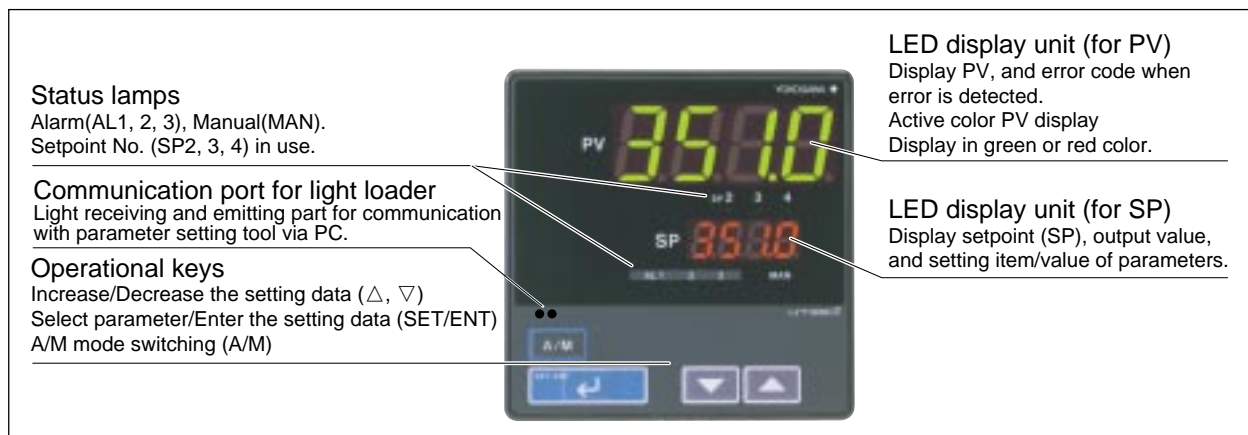
Switching of operation mode (Auto/Man)

SELECT display:

A panel where operating parameters that are frequently changed during operation can be selected and registered. For example, by registering the alarm -1 setpoint in the SELECT display, the setpoint can easily be displayed during operation.

Security function:

An operation-inhibiting mode using a password is provided.



● **Communication Functions(optional)**

This controller has a communication function and can be connected to a personal computer, programmable logic controller or other GREEN series controllers.

Communication protocol

Computer link communication:

Communication protocol with a personal computer.

Ladder communication:

Communication protocol with programmable logic controller.

MODBUS communication:

Communication protocol with a personal computer or PLC.

Coordinated operation:

Communication protocol to coordinated operation with two or more GREEN series controllers. The UT351 can be connected as a master station or a slave station.

Communication interface

Communication protocol:

Computer link, ladder communication, MODBUS or coordinated operation.

Standards: EIA RS485

Maximum number of connectable controllers:

31 GREEN series controllers

Maximum communication distance: 1,200 m

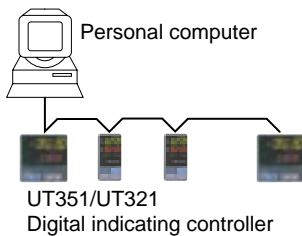
Communication method:

Two-wire half duplex or four-wire half duplex, start-stop synchronization, non-procedural.

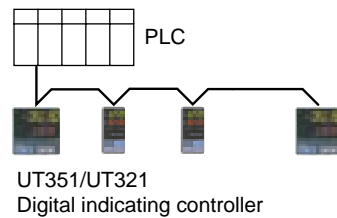
Communication rate: 600, 1200, 2400, 4800, or 9600 bps

Examples of Communication System Configuration Diagram

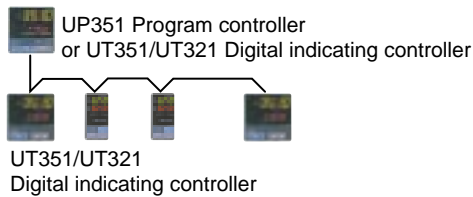
(1) Computer link communication



(2) Ladder communication



(3) Coordinated operation



■ Hardware Specifications

Measured Input Signal

Number of input points: 1

Input system:

The types of input/measurement ranges can be set using key operation or software from a list of inputs.

Input type, measurement ranges and measurement accuracy:

Refer to the table below.

Input Type		Input range code	Instrument range (°C)	Instrument range (°F)	Measurement accuracy*1
Unspecified(when shipped from the factory)		OFF	Set the data item PV input Type"IN" to the OFF option to leave the PV input type undefined.		
Thermocouple	K	1	-200 to 1370°C	-300 to 2500°F	±0.1% of instrument range ±1 digit for temperatures equal to or higher than 0 °C, ±0.2% of instrument range ±1 digit for temperatures below 0 °C
		2	-199.9 to 999.9°C	0 to 2300°F	
		3	-199.9 to 500.0°C	-199.9 to 999.9°F	
	J	4	-199.9 to 999.9°C	-300 to 2300°F	
	T	5	-199.9 to 400.0°C	-300 to 750°F	
		6	0.0 to 400.0°C	-199.9 to 750.0°F	
	B	7	0 to 1800°C	32 to 3300°F	±0.15% of instrument range ±1 digit for temperatures equal to or higher than 400 °C ±5% of instrument range ±1 digit for temperatures below 400 °C
	S	8	0 to 1700°C	32 to 3100°F	±0.15% of instrument range ±1 digit
	R	9	0 to 1700°C	32 to 3100°F	
	N	10	-200 to 1300°C	-300 to 2400°F	±0.1% of instrument range ±1 digit ±0.25% of instrument range ±1 digit for temperature below 0 °C
	E	11	-199.9 to 999.9°C	-300 to 1800°F	±0.1% of instrument range ±1 digit for temperatures equal to or higher than 0°C
	L (DIN)	12	-199.9 to 900.0°C	-300 to 1300°F	
	U (DIN)	13	-199.9 to 400.0°C	-300 to 750°F	±0.2% of instrument range ±1 digit for temperatures below 0°C
			0.0 to 400.0°C	-199.9 to 750.0°F	
	W (DIN)	15	0 to 2300°C	32 to 4200°F	±0.2% of instrument range ±1 digit
	Platinel 2	16	0 to 1390°C	32 to 2500°F	±0.1% of instrument range ±1 digit
	PR20-40	17	0 to 1900°C	32 to 3400°F	±0.5% of instrument range ±1 digit for temperatures equal to or higher than 800°C No guarantee of accuracy for temperatures below 800°C
	W97Re3-W75Re25		18	0 to 2000°C	
RTD	JPt100	30	-199.9 to 500.0°C	-199.9 to 999.9°F	±0.1% of instrument range ±1 digit (Note 1) (Note 2)
		31	-150.0 to 150.0°C	-199.9 to 300.0°F	±0.2% of instrument range ±1 digit (Note 1)
	Pt100	35	-199.9 to 850.0°C	-300 to 1560°F	±0.1% of instrument range ±1 digit (Note 1) (Note 2)
		36	-199.9 to 500.0°C	-199.9 to 999.9°F	±0.2% of instrument range ±1 digit (Note 1)
		37	-150.0 to 150.0°C	-199.9 to 300.0°F	
Standard signal	0.4 to 2V	40	0.400 to 2.000	Scaling is enable in the following 4 range. -1999 to 9999 -199.9 to 999.9 -19.99 to 99.99 -1.999 to 9.999	±0.1% of instrument range ±1 digit The read-out range can be scaled between -1999 and 9999.
	1 to 5V	41	1.000 to 5.000		
DC voltage	0 to 2V	50	0.000 to 2.000		
	0 to 10V	51	0.00 to 10.00		
	-10 to 20mV	55	-10.00 to 20.00		
	0 to 100mV	56	0.0 to 100.0		

*1: Performance in the standard operating condition (at 23°C ±2°C, 55±10%RH, and 50/60Hz power frequency)

Note 1: The accuracy is ±0.3°C of instrument range ±1 digit for a temperature range from 0 to 100°C.

Note 2: The accuracy is ±0.5°C of instrument range ±1 digit for a temperature range from -100 to 0°C and 100 to 200°C.

Sampling period: 250 ms

Burnout detection:

Functions with a thermocouple (TC), RTD, standard signal 0.4 to 2 V DC, and 1 to 5 V DC. Can be specified as upscale, downscale, and off. For standard signal, judged as burnout at 0.1 V or less.

Input bias current: 0.05 µA (for TC/RTD b-terminal)

Measuring current(RTD): about 0.13mA

Input resistance:

1 MΩ or more for TC/mV input
About 1 MΩ for DC voltage input

Allowable signal source resistance:

250 Ω or less; effect of permissible signal source resistance 0.1 µV/Ω or less for TC/mV input 2 k Ω or less; effect of permissible signal source resistance 0.01%/100 Ω or less for DC voltage input

Allowable leadwire resistance:

Max. of 150 Ω/wire (resistance in each of three wires must be equal) for RTD input
However, 10 Ω/wire for a maximum range of -150.0 to 150.0°C.
Effect of permissible leadwire resistance ± 0.1°C/10 Ω or less

Allowable input voltage:
 ± 10 V DC for TC/mV/RTD input
 ± 20 V DC for DC voltage input

Noise rejection ratio:
 Normal mode 40 dB (50/60 Hz) or more
 Common mode 120 dB (50/60 Hz) or more

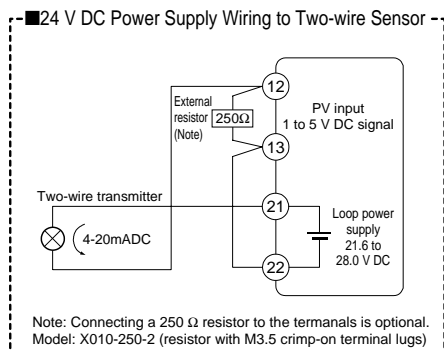
Reference-junction compensation error:
 ± 1.0°C (15 to 35°C),
 ± 1.5°C (0 to 15°C, 35 to 50°C)

Applicable standards: JIS, IEC, or DIN(ITS-90) for TC and RTD

24V DC Loop Power Supply for Sensor

The controller supplies power to a two-wire transmitter. Place a resistor (10 to 250Ω) between the controller and the transmitter, convert a current signal to a voltage signal, and read it from the PV input.

21.6 to 28.0 V DC, maximum supply current is about 30mA (only for models with 24V DC loop power supply).



Retransmission Output

Either PV, target setpoint, or control output is output. Either the retransmission output or the 15V DC loop power supply can be used.

Number of output points: 1
 Output signal: 4 to 20 mA DC
 Load resistance: 600 Ω or less
 Output accuracy: ± 0.3% of span
 * Performance in the standard operating conditions (at 23± 2°C, 55± 10% RH, and 50/60 Hz power frequency)

15V DC loop power supply:

Supply voltage is 14.5 to 18.0 V DC. Maximum supply current is about 21 mA (with a protection circuit for a field short-circuit).

Control Outputs

The control output is of a universal scheme and can be selected from the following types of outputs. In the case of heating/cooling control, it is also selectable from these outputs. However, if the cooling side output is a relay contact output, the alarm-3 cannot be used, and similarly if the cooling side output is a voltage pulse or current output, the retransmission output/15 V DC sensor power supply cannot be used.

Current output
 Number of output points: 1 or 2 (2 for heating/cooling type) switchable to voltage pulse output.
 Output signal: 4 to 20 mA
 Load resistance: 600 Ω or less
 Output accuracy: ±0.3% of span
 * Performance in the standard operating conditions (at 23± 2°C, 55± 10% RH, and 50/60 Hz power frequency)

Voltage pulse output
 Number of output points: 1 or 2 (2 for heating/cooling type) switchable to voltage pulse output.
 Output signal:
 On voltage = 12 V DC or more (load resistance of 600 Ω or more; current on short-circuiting about 30 mA)
 Off voltage = 0.1 V DC or less
 Resolution: 10 ms
 Relay contact output
 Number of output points: 1 or 2 (2 for heating/cooling type)
 Output signal:
 Three terminals for NC, NO, and Common transfer-contact
 Contact rating:
 250 V AC, 3 A or 30 V DC, 3A (resistive load)
 Resolution: 10 ms

Contact Inputs

Usage: Target setpoint selection, Auto/Man mode switching, or Key lock parameter display/non-display switching
 Number of input points: 2
 Input type: Non-voltage contact input or transistor open collector input
 Input contact rating: 12 V DC, 10 mA or more (for non-voltage contact input)
 On/off determination:
 For non-voltage contact input,
 ON = contact resistance of 1 kΩ or less,
 OFF = contact resistance of 20 kΩ or more.
 For transistor contact input,
 ON = 2 V or less,
 OFF = leakage current of 100 μA or less.
 Minimum retention time for status detection: about 1 second

Contact Outputs

Usage: Alarm output, FAIL output, and others
 Number of relay contact output points: 3
 Relay contact rating: 240 V AC, 1 A or 30 V DC, 1 A (COM terminal is common for every contact output.)

● Display Specifications

PV display:
 4-digit, 7-segment green or red LED; character height - 20 mm
 Setpoint display:
 4-digit, 7-segment red LED; character height - 9.3 mm
 Status indicating lamps: LEDs

● Conformance to Safety and EMC Standards

Safety standard:
 Conforms to IEC1010-1: 1990 and EN61010-1: 1993+A2:1995
 Certified for CSA1010
 The overvoltage category of each input is CAT II (IEC1010-1)
 Certified for UL508 application
 EMC standards:Complies with EN61326
 During test, the controller continues to operate with the measurement accuracy within ±20% of the range.

● Construction, Mounting, and Wiring

- Construction: Dust-proof and Drip-proof front panel conforming to IP55.
For side-by-side close installation, the controller loses its dust-proof and drip-proof protection.
- Material: ABS resin and polycarbonate
Case color: Black
Weight: Approx. 1 kg or less
External dimensions:
96 (width) × 96 (height) × 100 (depth) mm
- Mounting : Direct panel mounting; mounting bracket, one each for upper and lower mounting
- Panel cutout dimensions: $92_{-0}^{+0.8}$ (width) × $92_{-0}^{+0.8}$ (height) mm
Mounting attitude:
Up to 30 degrees above the horizontal. No downward tilting allowed.
- Wiring:
M3.5 (ISO 3.5 mm) screw terminals (signal wiring and power/ground wiring as well)

● Power Supply Specifications and Isolation

- Power supply: Rated at 100 to 240 V AC ($\pm 10\%$), 50/60 Hz
Power consumption: MAX. 20 VA (MAX. 8.0 W)
Internal fuse rating: 250 VAC, 1.6A time-lag fuse
Memory back-up: Non-volatile memory (Service life approx. 100,000 times of writings)
- Withstanding voltage:
1500 V AC for 1 minute between primary and secondary terminals. (Note)
1500 V AC for 1 minute between primary and ground terminals. (Note)
1500 V AC for 1 minute between ground and secondary terminals.
500VAC for 1 minute between two secondary terminals.

(Primary terminals = Power and relay output terminals)
(Secondary terminals = Analog I/O signal terminals, voltage pulse output terminals, contact input terminals)

Note. The withstanding voltage is specified as 2300V AC per minute to provide a margin of safety.

- Isolation resistance:
20 M Ω or more when 500 V DC voltage is applied between the power terminals and ground terminal.
- Grounding:
Class D grounding (Class 3 grounding)
(grounding resistance of 100 Ω or less)

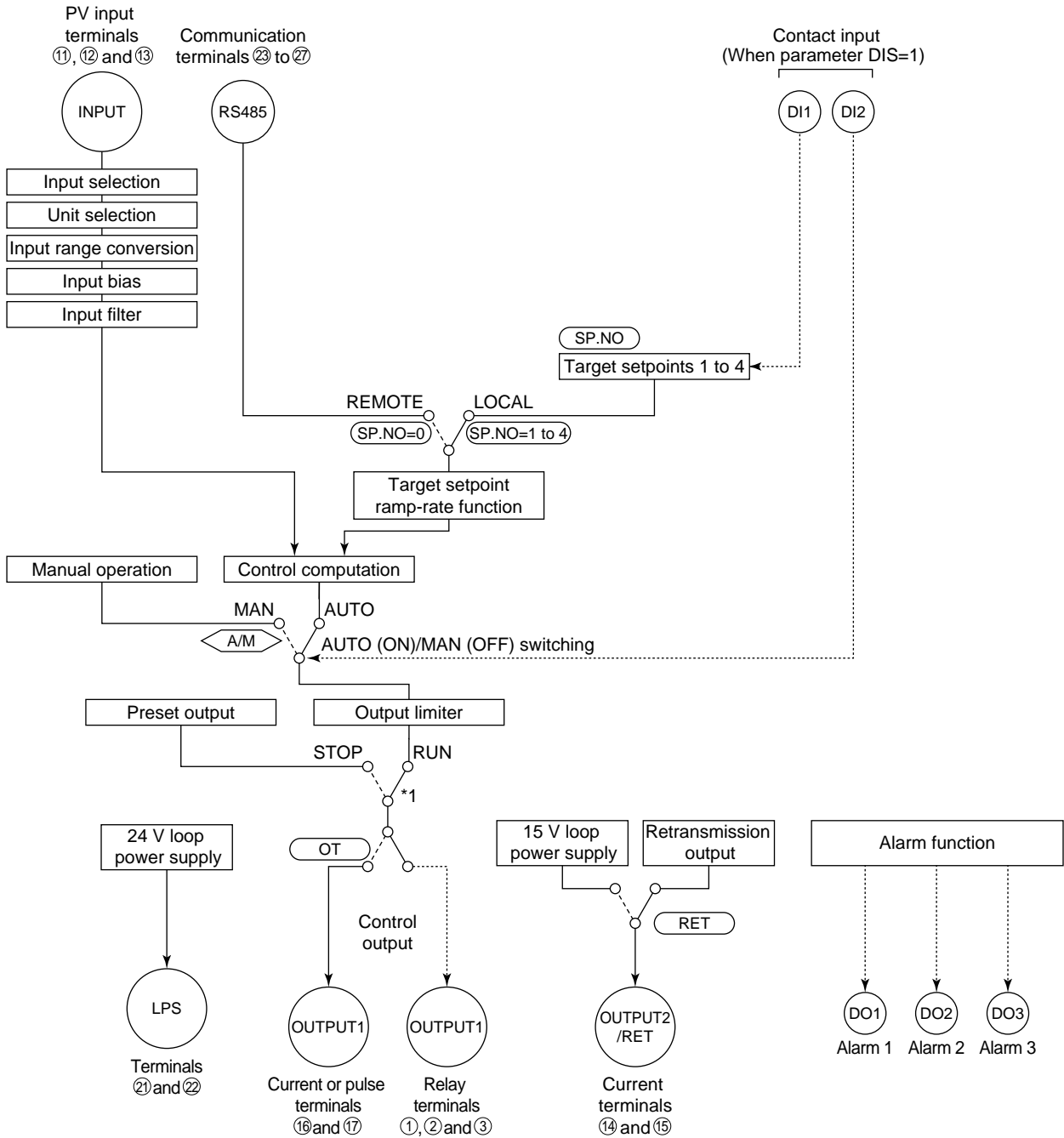
● Isolation specifications:

- Measured input terminal:
Isolated from other I/O terminals. Not isolated from internal circuits.
- 15 V DC loop power supply terminals:
Not isolated from 4-20mA analog output and voltage pulse control output. Isolated from other I/O terminals and internal circuit.
- 24 V DC loop power supply terminals:
Isolated from other I/O terminals and internal circuit.
- Control output (current or voltage pulse) and retransmission terminals: Not isolated between control output terminals and retransmission output terminals. Isolated from other I/O terminals and internal circuits.
- Relay contact control output terminals:
Isolated from other I/O terminals and internal circuits.
- Contact input terminals:
Not isolated from other contact input terminals mutually, and communication terminals. Isolated from other I/O terminals and internal circuits.
- Relay contact alarm output terminals:
Isolated from other I/O terminals and internal circuits.
- RS-485 communication terminals:
Not isolated from contact input terminals. Isolated from other I/O terminals and internal circuits.
- Power supply terminals:
Isolated from other I/O terminals, ground terminal, and internal circuits.
- Ground terminal:
Isolated from other I/O terminals, power terminals, and internal circuits.

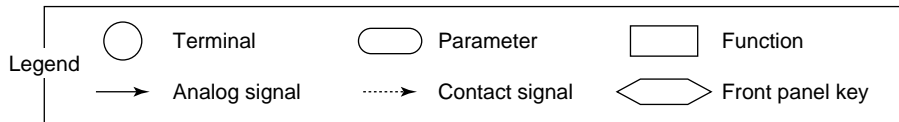
● Environmental Conditions

- Normal operating conditions:
Ambient temperature: 0 to 50°C (40°C or less for mounting of instruments side-by-side)
Ambient temperature change limit: 10°C /h or less
Ambient humidity: 20 to 90% RH (no condensing)
Magnetic field: 400 A/m or less
Continuous vibration (5 to 14 Hz):
Peak-to-peak amplitude of 1.2 mm or less
Continuous vibration (14 to 150 Hz):
4.9 m/s² or less
Short-period vibration: 14.7 m/s², 15s or less
Shock: 147 m/s² or less, 11 ms
Installation altitude: 2,000 m or less above sea level
Warm-up time 30 minutes or more
- Transportation and storage conditions:
Temperature: -25 to 70°C
Temperature change limit: 20°C /h or less
Humidity: 5 to 95% RH
- Effects of operating conditions
Effect of ambient temperature:
For voltage or TC inputs:
Whichever is greater, $\pm 1\mu\text{V}/^\circ\text{C}$ or $\pm 0.01\%$ of F.S./ $^\circ\text{C}$
For RTD inputs:
 $\pm 0.05^\circ\text{C}/^\circ\text{C}$ (ambient temperature) or less for RTD input
For analog output: $\pm 0.05\%$ of F.S./ $^\circ\text{C}$ or less
Effect of power supply fluctuation (within rated voltage range):
For analog input:
Equal to or less than whichever is greater, $\pm 1\mu\text{V}/10\text{ V}$ or $\pm 0.01\%$ of F.S./10 V
For analog output: $\pm 0.05\%$ of F.S./10 V or less

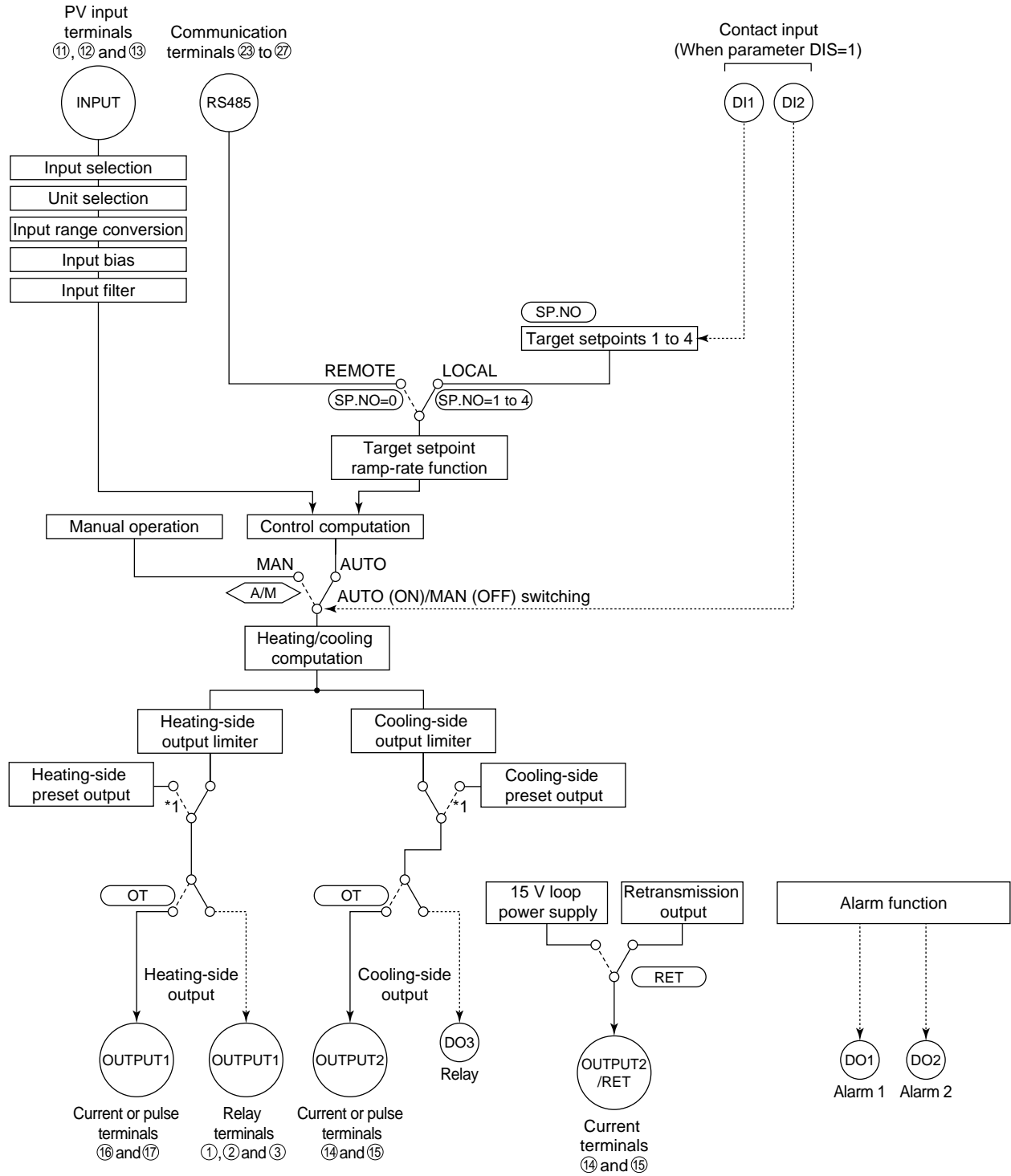
Function Block Diagram for Standard Type



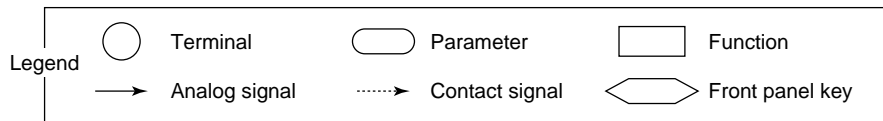
*1: If the setup parameter DIS (DI function selection) is set to "4", when the contact input 2 is ON (STOP state), that controller outputs the preset output value.



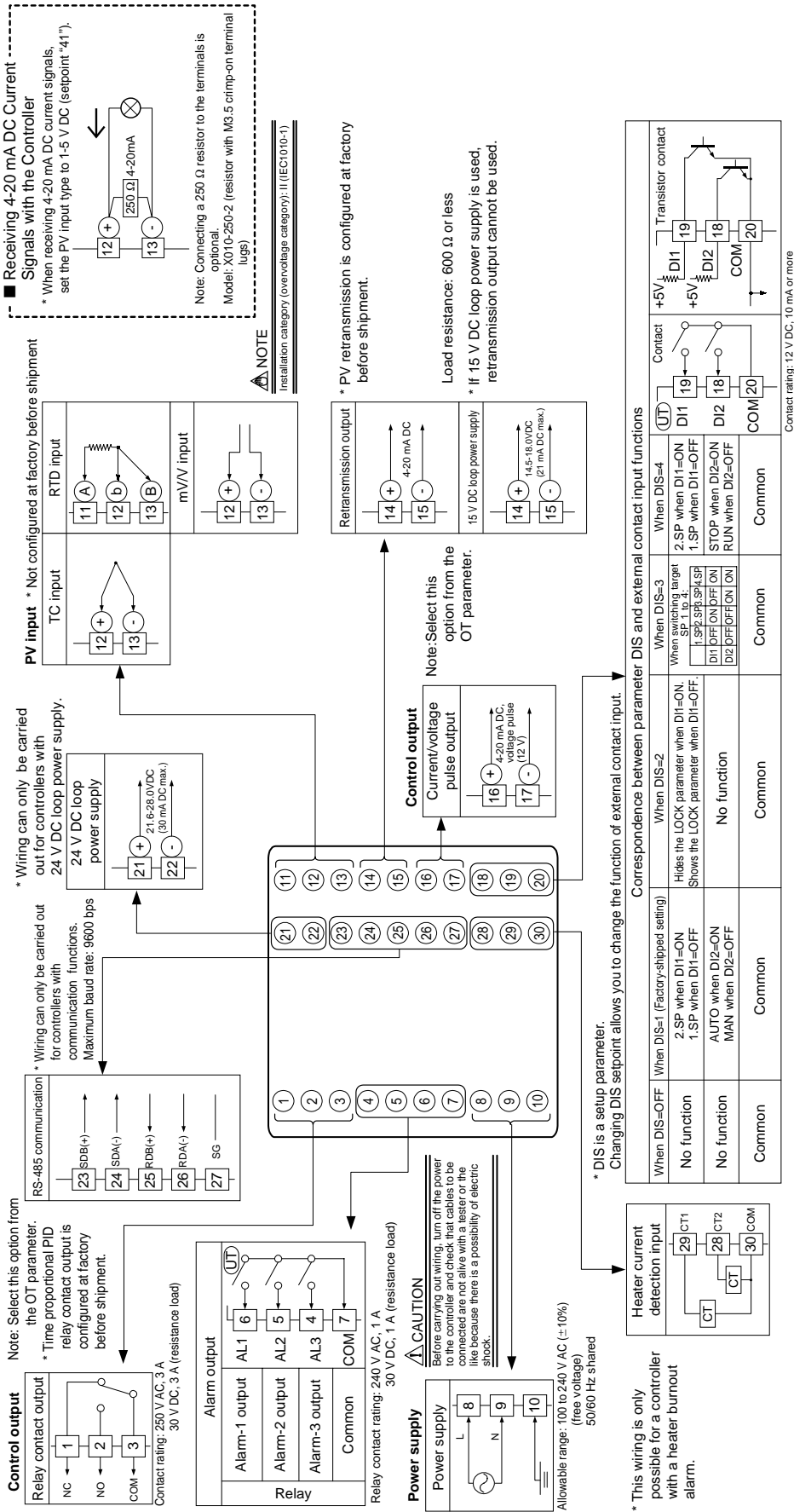
Function Block Diagram for Heating/Cooling Type



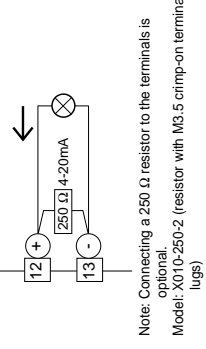
*1: If the setup parameter DIS (DI function selection) is set to "4", when the contact input 2 is ON (STOP state), that controller outputs the preset output value.



Standard Type, Terminal Arrangements

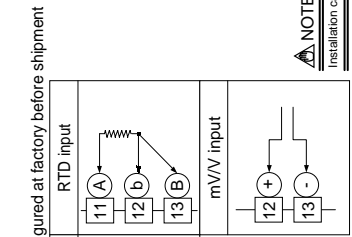


Receiving 4-20 mA DC Current Signals with the Controller
* When receiving 4-20 mA DC current signals, set the PV input type to 1-5 V DC (setpoint "41").

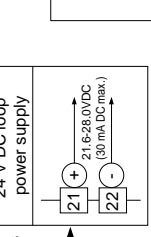


Note: Connecting a 250 Ω resistor to the terminals is optional.
Model: X010-250-2 (resistor with M3.5 crimp-on terminal lugs)

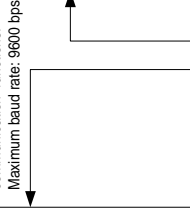
NOTE
Installation category (overvoltage category): II (IEC1010-1)



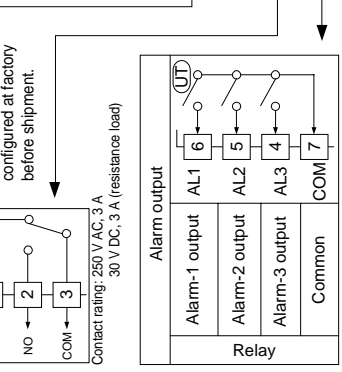
* Wiring can only be carried out for controllers with 24 V DC loop power supply.



* Wiring can only be carried out for controllers with communication functions. Maximum baud rate: 9600 bps



Note: Select this option from the OT parameter.
* Time proportional PID relay contact output is configured at factory before shipment.



CAUTION
Before carrying out wiring, turn off the power to the controller and check that cables to be connected are not hot. There is a possibility of electric shock.

* DIS is a setup parameter. Changing DIS setpoint allows you to change the function of external contact input.

* This wiring is only possible for a controller with a heater burnout alarm.

Note: External Contact Input
If the power is turned on when the external contact input is OFF, the mode (SP, NO or AM) existing before the power is turned off will be continued. (except for RUN/STOP)

* OT is a setup parameter. You can change the settings of the parameter OT to change the control output type.

Correspondence between parameter OT and control output types

Parameter	Control Output Type
OT=0 (factory-shipped setting)	Time proportional control (terminals ①, ② and ③)
OT=1	Time proportional control (terminals ⑥ and ⑦)
OT=2	Current output (terminals ⑥ and ⑦)
OT=3	On-off control (terminals ①, ② and ③)

Heating/Cooling Type, Terminal Arrangements

Receiving 4-20 mA DC Current Signals with the Controller

* When receiving 4-20 mA DC current signals, set the PV input type to 4-5 V DC (setpoint "41").

Note: Connecting a 250 Ω resistor to the terminals is optional.
Model: X010-250-2 (resistor with M3.5 crimp-on terminal lugs)

PV input * Not configured at factory before shipment

TC input

RTD input

mV/V input

NOTE
Installation category (over-voltage category): II (IEC1010-1)

* PV retransmission is configured at factory before shipment.

Retransmission output

4-20 mA DC (21 mA DC max.)

15 V DC loop power supply

Cooling-side control output * If 15 V DC loop power supply is used, retransmission output cannot be used.

4-20 mA DC voltage pulse (12 V)

* The retransmission output and 15 V DC loop power supply are not available if the cooling-side control output is set to "continuous output" and "voltage pulse output."

RS-485 communication

23 SDB(+)
24 SDA(-)
25 RDB(+)
26 RDA(-)
27 SG

* Wiring can only be carried out for controllers with communication functions.
Maximum baud rate: 9600 bps

Heating-side control output

Current/voltage pulse output

4-20 mA DC, voltage pulse (12 V)

* Available if 5, 6, 8, 9, 11 or 12 is set in the OT (Control Output Type) setup parameter.

Relay contact output

Relay contact output: 240 V AC, 3 A (resistance load)
30 V DC, 3 A (resistance load)

Alarm output/cooling-side control output

AL1 6
AL2 5
AL3 4
COM 7

Note: The cooling-side control output is selected if 4, 5 or 6 is set in the OT (Control Output Type) setup parameter.
The alarm-3 output is not available.
The controller is factory-set to the cooling-side control output (time-proportional PID relay contact output).

Power supply

Heater current detection input

29 CT1
28 CT2
30 COM

* This wiring is only possible for a controller with a heater burnout alarm.

* DIS is a setup parameter. Changing DIS setpoint allows you to change the function of external contact input.

CAUTION

Before carrying out wiring, turn off the power to the controller and check that cables to be connected are not alive with a tester or the like because there is a possibility of electric shock.

Power supply

8 L
9 N
10 PE

Allowable range: 100 to 240 V AC (±10%)
(free voltage)
50/60 Hz shared

Correspondence between parameter DIS and external contact input functions

When DIS=1 (Factory-shipped setting)	When DIS=2	When DIS=3	When DIS=4	When DIS=5	When DIS=6	When DIS=7	When DIS=8	When DIS=9	When DIS=10	When DIS=11	When DIS=12
2.SP when DI1=ON 1.SP when DI1=OFF	Hides the LOCK parameter when DI1=ON Shows the LOCK parameter when DI1=OFF	When switching target SP 1 to 4: 1.SP:SP1,SP2,SP3 DI OFF ON OFF ON DI2 OFF OFF ON ON	2.SP when DI1=ON 1.SP when DI1=OFF STOP when DI2=ON RUN when DI2=OFF	Common	Common	Common	Common	Common	Common	Common	Common

Note: External Contact Input when the power is turned on if the external contact input is OFF, the mode (SP NO or AM) existing before the power is turned off will be continued. (except for RUN/STOP)

External Contact Input

18 COM
19 DI1
20 DI2

Contact

+5V
-5V

Transistor contact

Contact rating: 12 V DC, 10 mA or more

OT is a setup parameter. You can change the settings of the parameter OT to change the control output type.

Correspondence between parameter OT and heating-side/cooling-side output types

OT=4 (factory-shipped setting)	OT=5	OT=6	OT=7	OT=8	OT=9	OT=10	OT=11	OT=12
Heating side: Relay output (terminals ①, ② and ③) Cooling side: Relay output (terminals ④ and ⑤)	Heating side: Voltage pulse output (terminals ⑥ and ⑦) Cooling side: Voltage pulse output (terminals ⑧ and ⑨)	Heating side: Current output (terminals ⑩ and ⑪) Cooling side: Voltage pulse output (terminals ⑫ and ⑬)	Heating side: Relay output (terminals ⑭, ⑮ and ⑯) Cooling side: Voltage pulse output (terminals ⑰ and ⑱)	Heating side: Voltage pulse output (terminals ⑲ and ⑳) Cooling side: Voltage pulse output (terminals ㉑ and ㉒)	Heating side: Current output (terminals ㉓ and ㉔) Cooling side: Voltage pulse output (terminals ㉕ and ㉖)	Heating side: Relay output (terminals ㉗ and ㉘) Cooling side: Current output (terminals ㉙ and ㉚)	Heating side: Voltage pulse output (terminals ㉛ and ㉜) Cooling side: Current output (terminals ㉝ and ㉞)	Heating side: Current output (terminals ㉟ and ㊱) Cooling side: Current output (terminals ㊲ and ㊳)

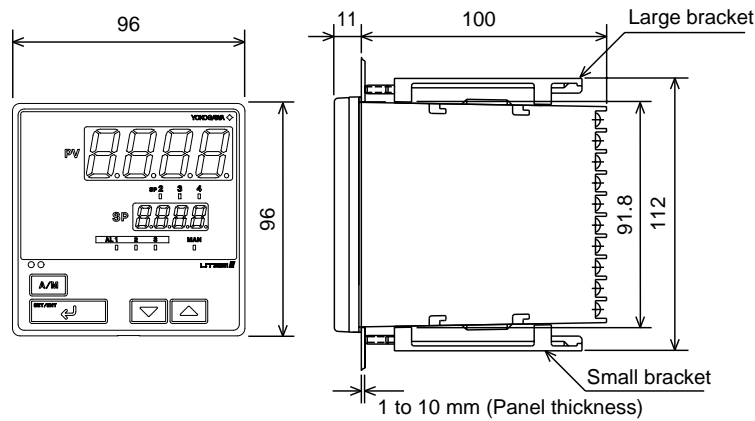
The control output types, "relay output" and "voltage pulse output" shown in the table above refer to those of time-proportional control. To change the type to a relay output for on-off control, select "Relay Terminals" and change the setpoint of the proportional band to "0."

All Rights Reserved. Copyright © 2002, Yokogawa M&C Corporation

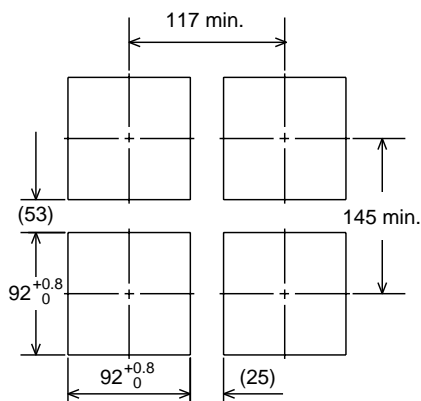
GS 05D01D12-01E 3rd Edition Apr.01.2003-00

External Dimensions and Panel Cutout Dimensions

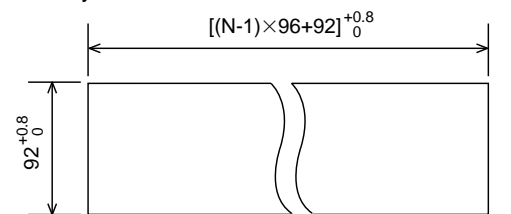
Unit: mm



General installation



Side-by-side close installation



"N" stands for the number of controllers to be installed.
However, the measured value applies if $N \geq 5$.

Model and Suffix codes

Model	Suffix Code	Description
UT351		Digital indicating controller (provided with retransmission output and 15 V DC loop power supply as standard)
Type	-0 -2 -3	Standard type Heating/cooling type Standard type (with 24 V DC loop power supply)
Optional functions	0 1 2	None With communication, Heater burnout alarm With heater burnout alarm

Standard Accessories: Brackets (mounting hardware), unit label, User's Manuals, and User's Manual (reference) (CD-ROM version)
Terminal cover (optional part) is provided.

Items to be Specified when Ordering

Model and suffix codes, necessary/unnecessary of User's Manual or QIC.