

The products of new idea and customer's satisfaction

AIR HEADER all-in-one type valve

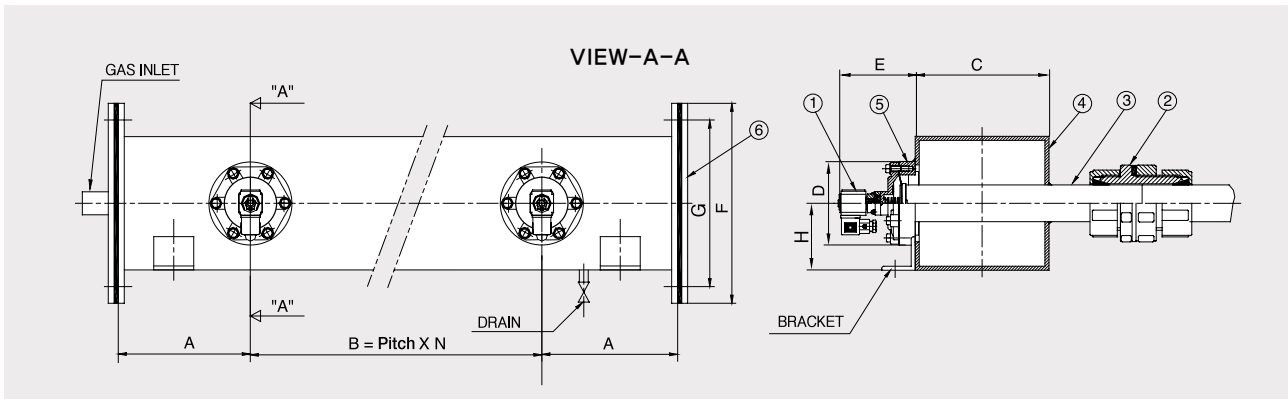
JOIL enterprise pursuing the best quality moving the customers, accumulated know-how and technology for 30 years, so it developed a perfect 'AIR HEADER all-in-one type valve' to do its best for customer satisfaction.



Advantages of AIR HEADER all-in-one type

- * Corrosion resistance with aluminum material and elegant appearance with powder coating.
- * Increasing efficiency with plumbing shortening & straightening of header and blow-tube.
- * Without dimensional deformation at plumbing, so assembly tolerances issue is solved.
- * Installation and assembly without separate plumbing work.

■ OUTLINE



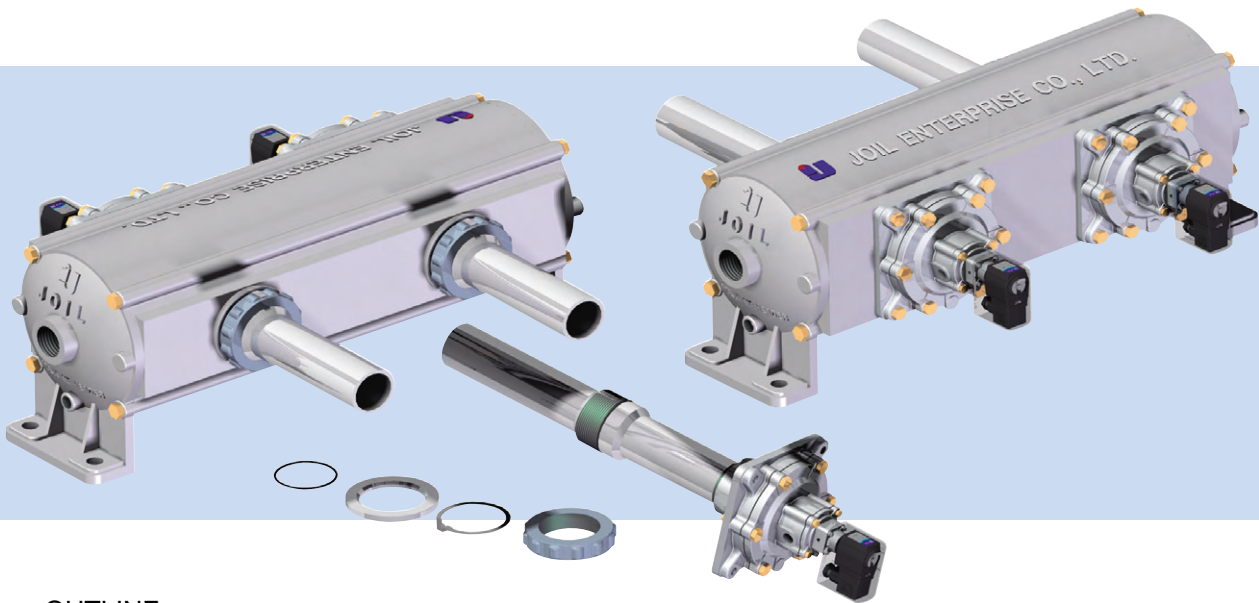
- ① DIAPHRAGM VALVE ② CONNECTOR ③ BLOW TUBE ④ AIR HEADER ⑤ VALVE BODY ⑥ AIR HEADER COVER

■ DIMENSIONS(mm)

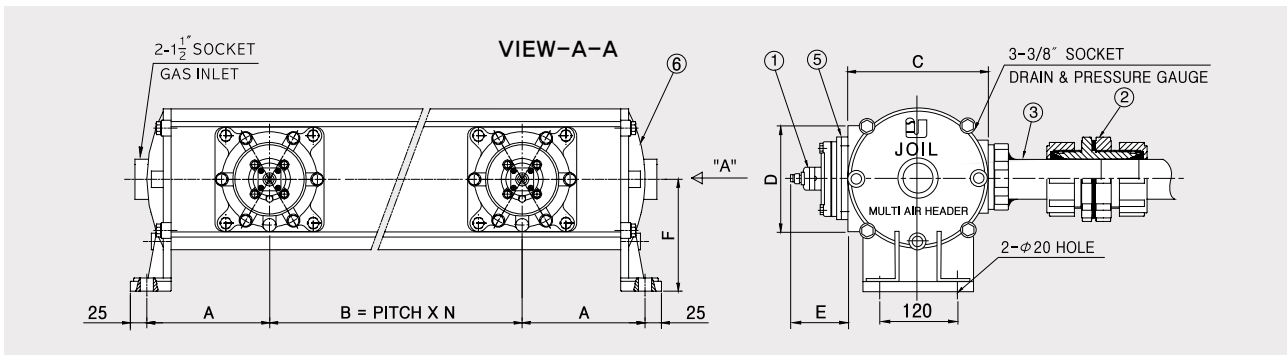
MODEL	A	C	D	E	F	G	H	Pitch	적용가능 밸브숫자
JIAS 20A	168	150	84	97	250	200	75	150	2 ~
JIAS 25A	168	150	101	103	250	200	75	150	2 ~
JIAS 32A	168	200	125	115	300	250	100	170	5 ~
JIAS 40A(S)	168	200	125	115	300	250	100	200	5 ~
JIAS 40A(D)	168	200	125	147	300	250	100	200	5 ~
JIAS 50A	168	250	167	156	350	300	125	260	5 ~
JIAS 65A	168	250	195	160	350	300	125	260	5 ~
JIAS 80A	168	300	250	180	400	350	150	300	5 ~

* Pipe standards & pitch is our company's standard specifications and it is possible to change by orders.

* 80A(76A) has different shape of header-pipe assembly department, so please check assembly drawings.



■ OUTLINE



① DIAPHRAGM VALVE ② CONNECTOR ③ BLOW TUBE ④ AIR HEADER(AL CYL') ⑤ VALVE BODY ⑥ AIR HEADER COVER

■ DIMENSIONS (mm)

MODEL	A	C	D	E	F	Pitch	valve quantity
JAC 40A(S)	185	214	125	90	170	200	5 ~ 15
JAC 40A(D)	185	214	125	106	170	200	5 ~ 15
JAC 50A	185	214	160	130	170	260	5 ~ 11

* Pipe standards is our company's standard specifications. Pitch is possible to change by orders.

■ SPECIFICATION

MODEL	HEADER SIZE	BLOW TUBE SIZE	PITCH(min)	INLET TUBE SIZE	C.V	VENT HOSE SIZE	OPER-PRESS(max)
JAC 40A(S)	200A	40A	170	1 1/2"	67.2	RC8	8kgf/cm ²
JAC 40A(D)		40A	170	1 1/2"	70.0	RC8	
JAC 50		50A	170	1 1/2"	98.0	RC8	

■ ACCESSORIES FOR CYLINDER TYPE AIR HEADER

