

BUTTERFLY VALVE - DOUBLE ACTING

ROTARY ACTUATOR



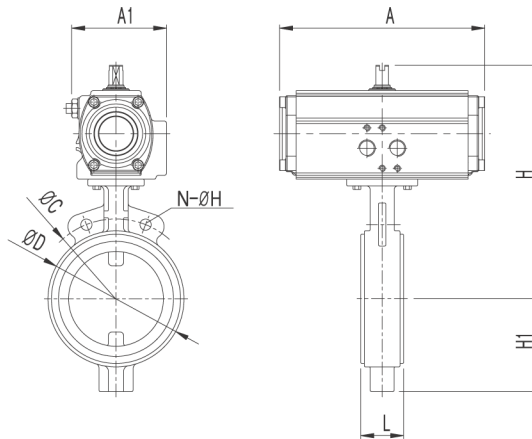
● Application

- Water distribution pipes
- Industrial cleaning machines
- Sterilizers, Boilers
- Air ventilation
- Medical equipments, Vacuum packing
- Air ventilation systems

● Specification

Valve Size	40A ~ 600A		
Actuator Model	AD50 ~ AD200		
Actuator Type	Double Acting		
Operating Media	Compressed Dry Air		
Operating Pressure	4 ~ 7kg/cm ²		
Rotating Angle	90° ± 5°		
Fluid Temperature	0°C ~ 85°C (-20°C ~ 200°C)		
Rating	JIS10K Wafer	ANSI150# Wafer	
Body Material	FC (SCS13)/Body	SCS13 (SCS14)/Disc	EPDM (MTFE)/Seat
Accessory	Solenoid Valve, Air filter Regulator, Limit Switch Box, E/P Positioner		

※ () Option



● Dimension

(mm)

Model	Size		A	A1	H (Approx)	H1	L	END CONNECTION(JIS 10K WAFER)		
	mm	inch						ØD	ØC	N-ØH
AD50-40BF	40A	1-1/2"	162	75	215	58	41	86	105	4-19
AD50-50BF	50A	2"	162	75	217	65	43	105	120	4-19
AD50-65BF	65A	2-1/2"	162	75	227	71	46	114	140	4-19
AD65-80BF	80A	3"	202	89	256	83	46	129	150	8-19
AD65-100BF	100A	4"	202	89	270	100	52	155	175	8-19
AD80-125BF	125A	5"	262	101	300	110	56	180	210	8-23
AD80-150BF	150A	6"	262	101	314	130	56	207	240	8-23
AD100-200BF	200A	8"	311	129	390	163	60	260	290	12-23
AD100-250BF	250A	10"	311	129	428	227	68	331	355	12-25
AD125-300BF	300A	12"	390	151	482	252	78	377	400	16-25
AD140-350BF	350A	14"	431	164	510	272	78	416	445	16-25
AD160-400BF	400A	16"	506	189	585	343	102	475	510	16-27
AD160-450BF	450A	18"	506	189	625	366	114	535	565	20-27
AD200-500BF	500A	20"	605	231	783	421	127	590	620	20-27
AD200-600BF	600A	24"	605	231	870	493	154	695	730	24-33

※ Actuator 250, 300 : Option

BUTTERFLY VALVE - SINGLE ACTING

ROTARY ACTUATOR



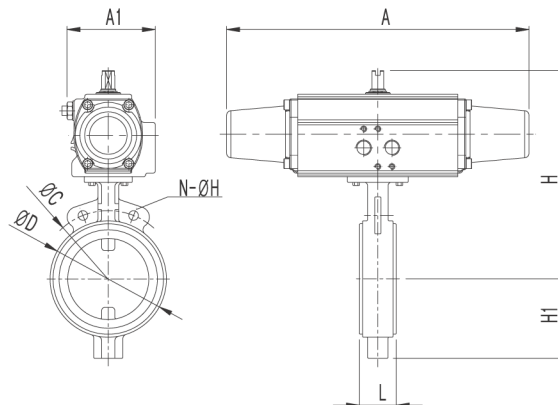
● Application

- Water distribution pipes
- Industrial cleaning machines
- Sterilizers, Boilers
- Air ventilation
- Medical equipments, Vacuum packing
- Air ventilation systems

● Specification

Valve Size	40A ~ 500A		
Actuator Model	AS50 ~ AS200		
Actuator Type	Single Acting (Spring Return)		
Operating Media	Compressed Dry Air		
Operating Pressure	4.5 ~ 7kg/cm ²		
Rotating Angle	90° ± 5°		
Fluid Temperature	0°C ~ 85°C (-20°C ~ 200°C)		
Rating	JIS10K Wafer	ANSI150# Wafer	
Body Material	FC (SCS13)/Body	SCS13 (SCS14)/Disc	EPDM (MTFE)/Seat
Accessory	Solenoid Valve, Air filter Regulator, Limit Switch Box, E/P Positioner		

※ () Option



● Dimension

(mm)

Model	Size		A	A1	H (Approx)	H1	L	END CONNECTION(JIS 10K WAFER)		
	mm	inch						ØD	ØC	N-ØH
AS50-40BF	40A	1-1/2"	257	75	215	58	41	86	105	4-19
AS50-50BF	50A	2"	257	75	217	65	43	105	120	4-19
AS65-65BF	65A	2-1/2"	314	89	250	71	46	114	140	4-19
AS65-80BF	80A	3"	314	89	256	83	46	129	150	8-19
AS80-100BF	100A	4"	430	101	287	100	52	155	175	8-19
AS80-125BF	125A	5"	430	101	300	110	56	180	210	8-23
AS100-150BF	150A	6"	500	129	334	130	56	207	240	8-23
AS100-200BF	200A	8"	500	129	390	163	60	260	290	12-23
AS125-250BF	250A	10"	606	151	455	227	68	331	355	12-25
AS140-300BF	300A	12"	682	164	500	252	78	377	400	16-25
AS160-350BF	350A	14"	781	189	544	272	78	416	445	16-25
AS160-400BF	400A	16"	781	189	585	343	102	475	510	16-27
AS200-450BF	450A	18"	982	231	704	366	114	535	565	20-27
AS200-500BF	500A	20"	982	231	780	421	127	590	620	20-27

※ Actuator 250, 300 : Option