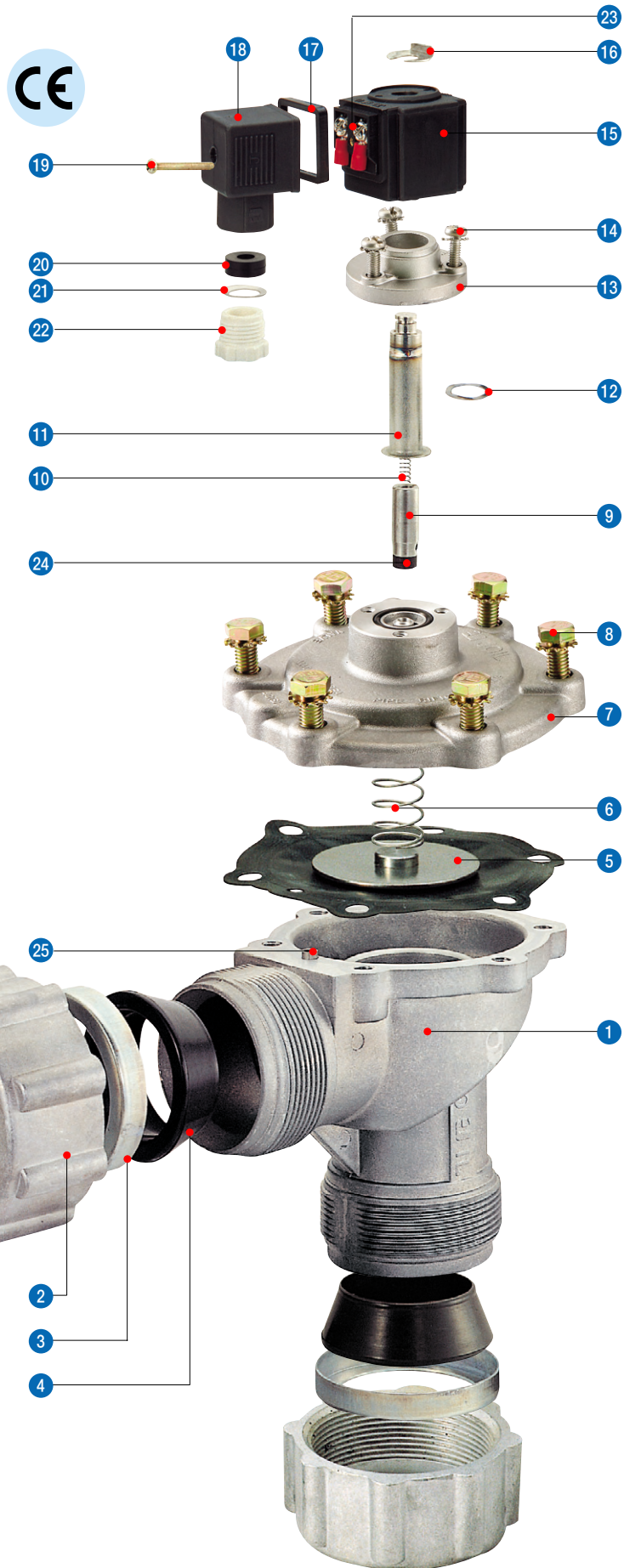


DIAPHRAGM VALVE

COUPLING TYPE : JICI 40 (S)

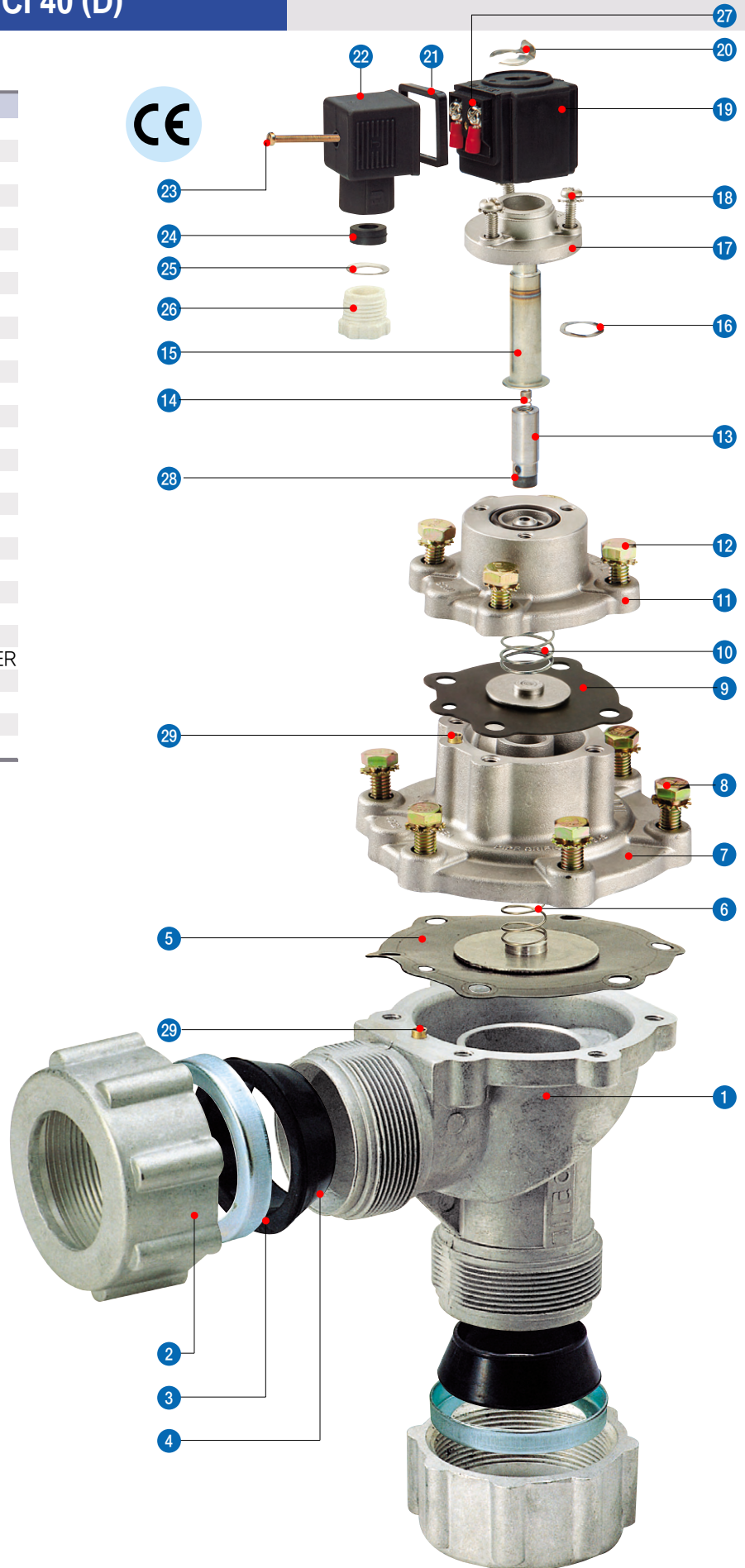
NO	PARTS LIST
1	BODY
2	COUPLING NUT
3	GUIDE RING
4	COUPLING PACKING
5	MAIN DIAPHRAGM
6	MAIN SPRING
7	MAIN COVER
8	HEXAGON BOLT(M8)
9	PLUNGER
10	PLUNGER SPRING
11	CORE TUBE
12	TENSION SPRING
13	ROUND TUBE
14	BOLT(M4)
15	SOLENOID COIL
16	CLIP
17	COIL PACKING
18	COIL TERMINAL COVER
19	BOLT(M3)
20	HOLDER PACKING
21	HOLDER PACKING WASHER
22	HOLDER BOLT
23	TERMINAL SET
24	PLUNGER PACKING
25	AIR HOLE PIN



SINGLE DIAPHRAGM MODEL

COUPLING TYPE : JICI 40 (D)

NO	PARTS LIST
1	BODY
2	COUPLING NUT
3	GUIDE RING
4	COUPLING PACKING
5	MAIN DIAPHRAGM
6	MAIN SPRING
7	CONNECTION COVER
8	HEXAGON BOLT(M8)
9	SECONDARY DIAPHRAGM
10	SECONDARY SPRING
11	SECONDARY COVER
12	HEXAGON BOLT(M6)
13	PLUNGER
14	PLUNGER SPRING
15	CORE TUBE
16	TENSION SPRING
17	ROUND TUBE
18	BOLT(M4)
19	SOLENOID COIL
20	CLIP
21	COIL PACKING
22	COIL TERMINAL COVER
23	BOLT(M3)
24	HOLDER PACKING
25	HOLDER PACKING WASHER
26	HOLDER BOLT
27	TERMINAL SET
28	PLUNGER PACKING
29	AIR HOLE PIN

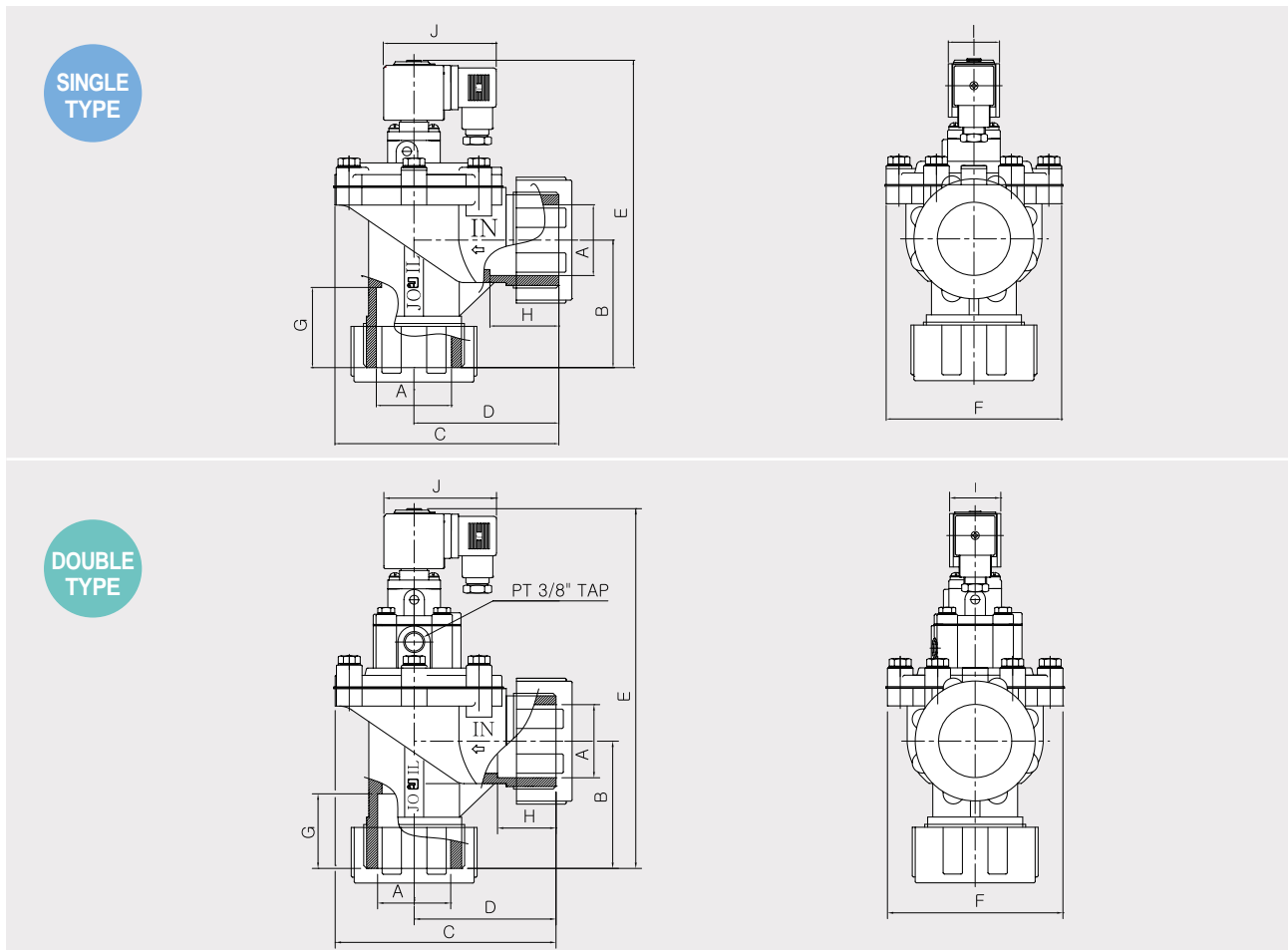
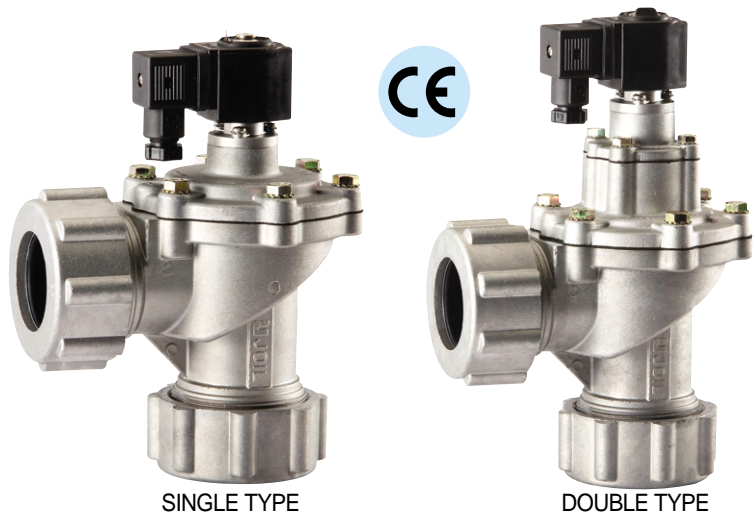


DOUBLE DIAPHRAGM MODEL

JICI COUPLING INTEGRATED TYPE

JOIL valve's common characteristics (1)

Solenoid coil has one-touch terminal block with easy electrical wiring.
For outdoor use, use aluminum die-casting material body.



■ DIMENSIONS(mm)

MODEL	C.V FACTOR	OPERATING PRESSURE		ORIFICE A	B	C	D	E	F	G	H	I	J	Diaphragm Q'TY	Weight (kg)
		MIN	MAX												
JICI 20	14.3	0.5	8	3/4"	60.5	101.5	69.5	163	64	39.5	32	35	70	1	0.75
JICI 25	24.4	0.5	8	1"	70	118	78	180	80	38	32	35	70	1	1.15
JICI 40(S)	58.4	0.5	8	1 1/2"	88	151.5	97	209	121	53	40	35	70	1	1.9
JICI 40(D)	60.9	0.5	8	1 1/2"	88	151.5	97	245	121	53	40	35	70	2	2.14