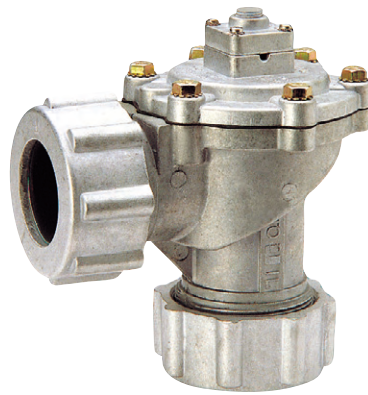


JICR COUPLING REMOTE TYPE

조일밸브의 공통적 특징

10.7mm구경의 신속 개폐를 위한 전기 배장기와 방수 처리된 180°C 내열 코일을 사용했습니다.

Water-proof and heat resisted type coil endurable up to 180°C is provided for easy opening & closing 10.7mm dia of plunger.

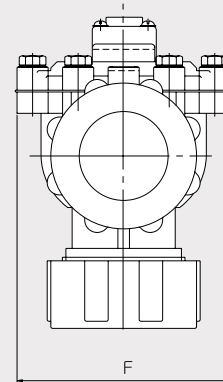
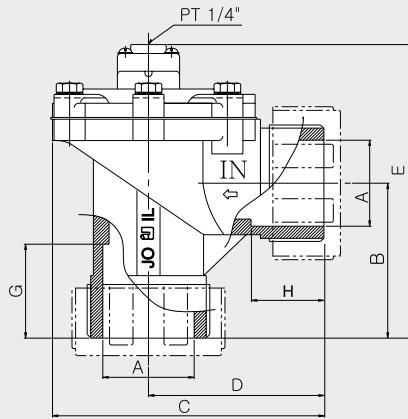


SINGLE TYPE

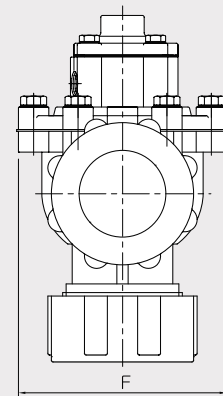
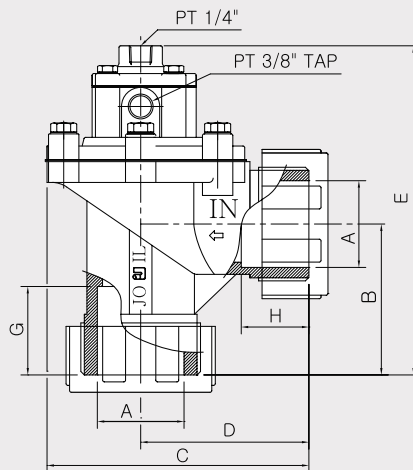


DOUBLE TYPE

SINGLE TYPE



DOUBLE TYPE



■ DIMENSIONS(mm)

MODEL	C.V FACTOR	OPERATING PRESSURE		ORIFICE A	B	C	D	E	F	G	H	Diaphragm Q'TY	Weight (kg)
		MIN	MAX										
JICR 20	14.3	0.5	8	3/4"	60.5	101.5	69.5	114	64	39.5	32	1	0.55
JICR 25	24.4	0.5	8	1"	70	118	78	133	80	38	32	1	1
JICR 40(S)	58.4	0.5	8	1-1/2"	88	151.5	97	165	121	53	40	1	1.75
JICR 40(D)	60.9	0.5	8	1-1/2"	88	151.5	97	188.8	121	53	40	2	1.95