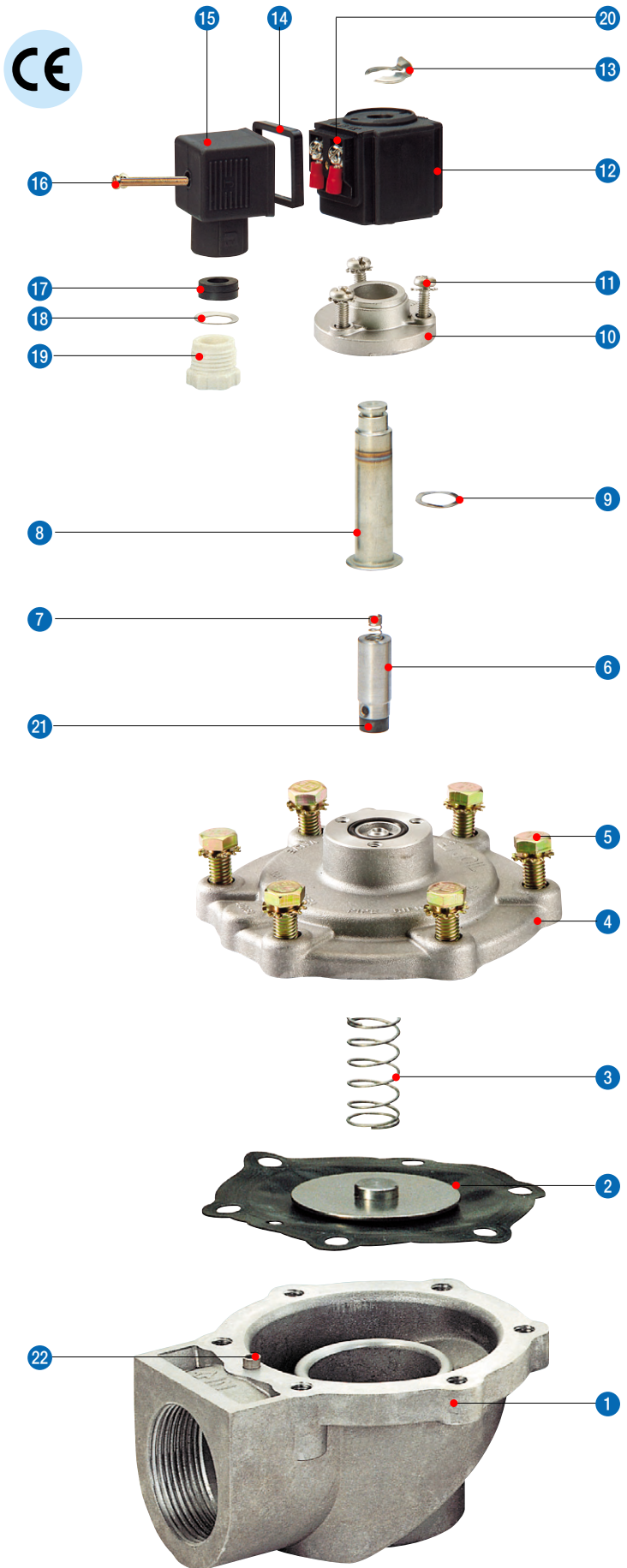


# DIAPHRAGM VALVE

SCREW TYPE : JISI 40 (S)

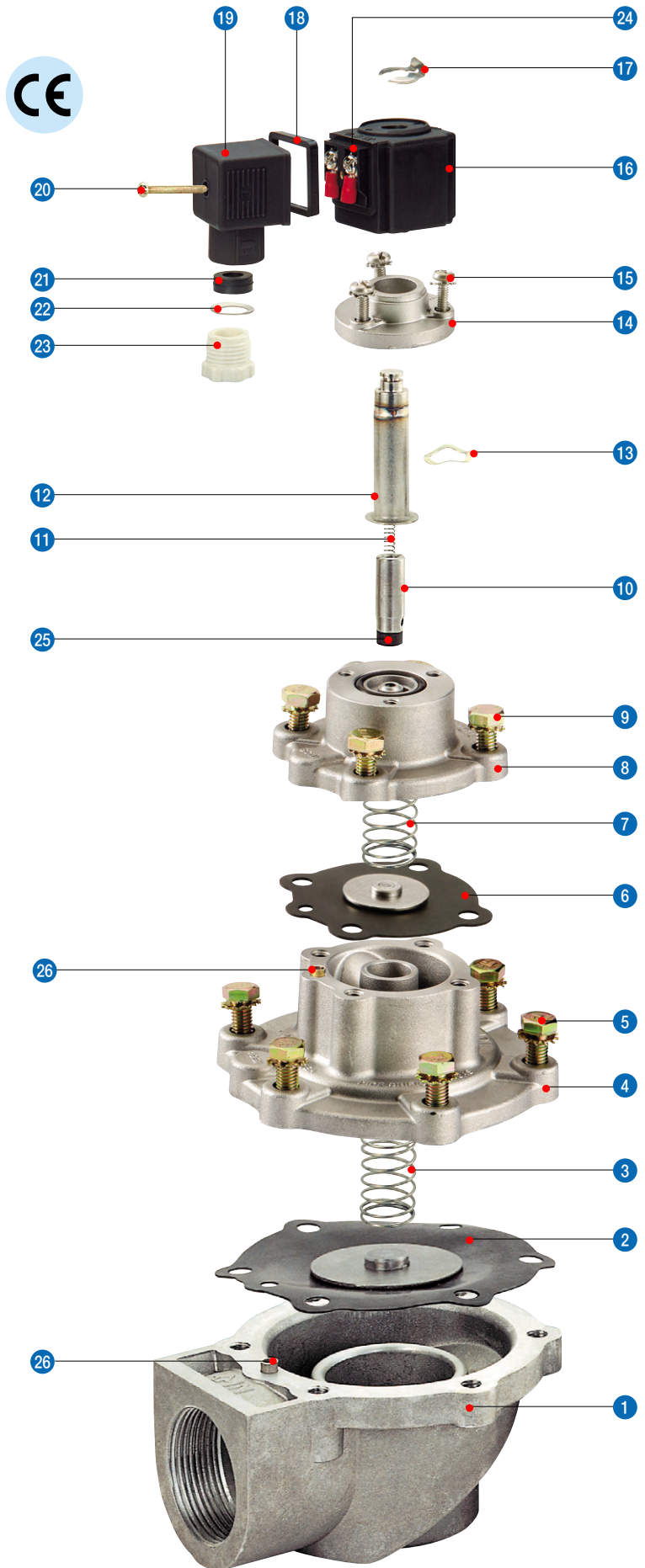
| NO | PARTS LIST            |
|----|-----------------------|
| 1  | BODY                  |
| 2  | MAIN DIAPHRAGM        |
| 3  | MAIN SPRING           |
| 4  | MAIN COVER            |
| 5  | HEXAGON BOLT(M8)      |
| 6  | PLUNGER               |
| 7  | PLUNGER SPRING        |
| 8  | CORE TUBE             |
| 9  | TENSION SPRING        |
| 10 | ROUND TUBE            |
| 11 | BOLT(M4)              |
| 12 | SOLENOID COIL         |
| 13 | CLIP                  |
| 14 | COIL PACKING          |
| 15 | COIL TERMINAL COVER   |
| 16 | BOLT(M3)              |
| 17 | HOLDER PACKING        |
| 18 | HOLDER PACKING WASHER |
| 19 | HOLDER BOLT           |
| 20 | TERMINAL SET          |
| 21 | PLUNGER PACKING       |
| 22 | AIR HOLE PIN          |



SINGLE DIAPHRAGM MODEL

# SCREW TYPE : JISI 40 (D)

| NO | PARTS LIST            |
|----|-----------------------|
| 1  | BODY                  |
| 2  | MAIN DIAPHRAGM        |
| 3  | MAIN SPRING           |
| 4  | CONNECTION COVER      |
| 5  | HEXAGON BOLT(M8)      |
| 6  | SECONDARY DIAPHRAGM   |
| 7  | SECONDARY SPRING      |
| 8  | SECONDARY COVER       |
| 9  | HEXAGON BOLT(M6)      |
| 10 | PLUNGER               |
| 11 | PLUNGER SPRING        |
| 12 | CORE TUBE             |
| 13 | TENSION SPRING        |
| 14 | ROUND TUBE            |
| 15 | BOLT(M4)              |
| 16 | SOLENOID COIL         |
| 17 | CLIP                  |
| 18 | COIL PACKING          |
| 19 | COIL TERMINAL COVER   |
| 20 | BOLT(M3)              |
| 21 | HOLDER PACKING        |
| 22 | HOLDER PACKING WASHER |
| 23 | HOLDER BOLT           |
| 24 | TERMINAL SET          |
| 25 | PLUNGER PACKING       |
| 26 | AIR HOLE PIN          |

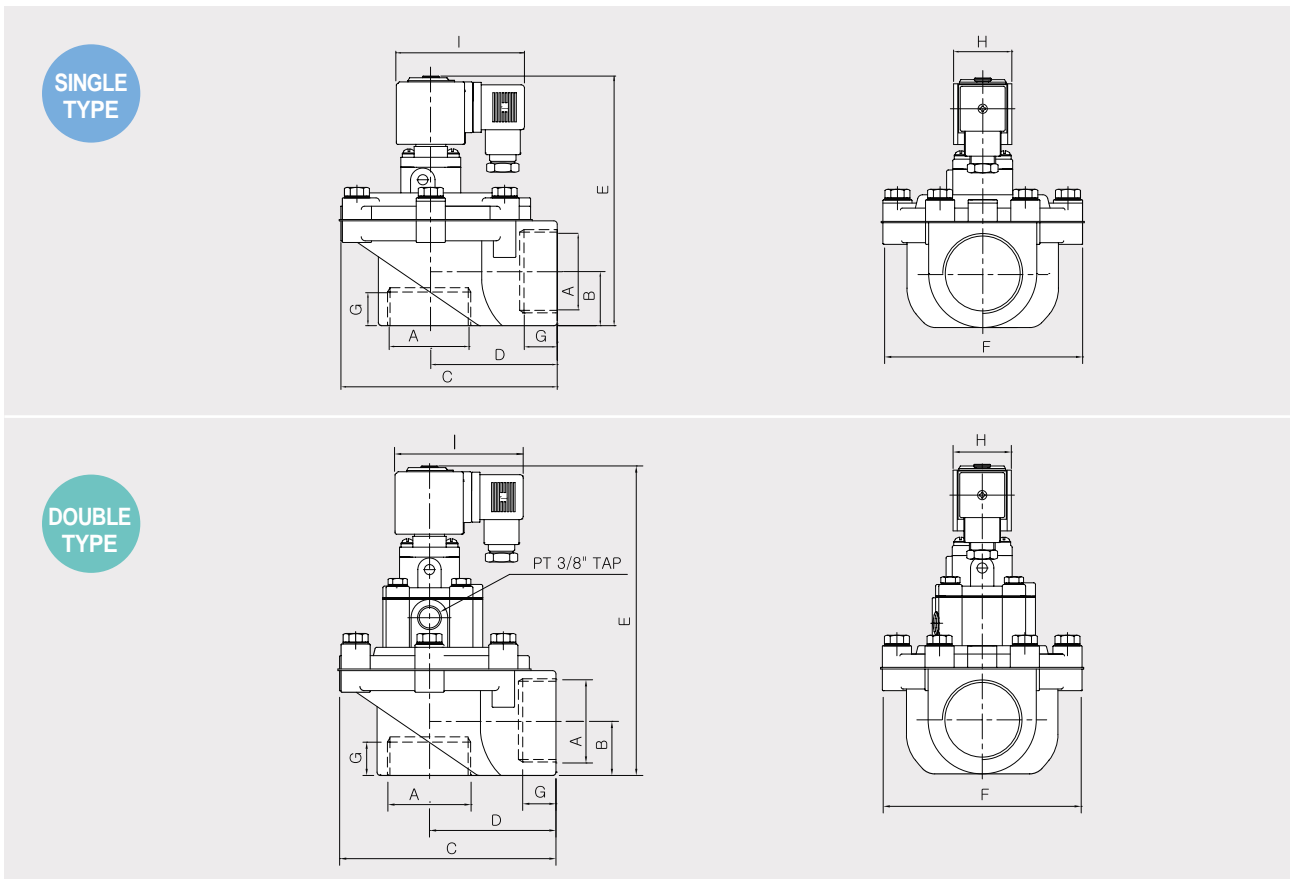
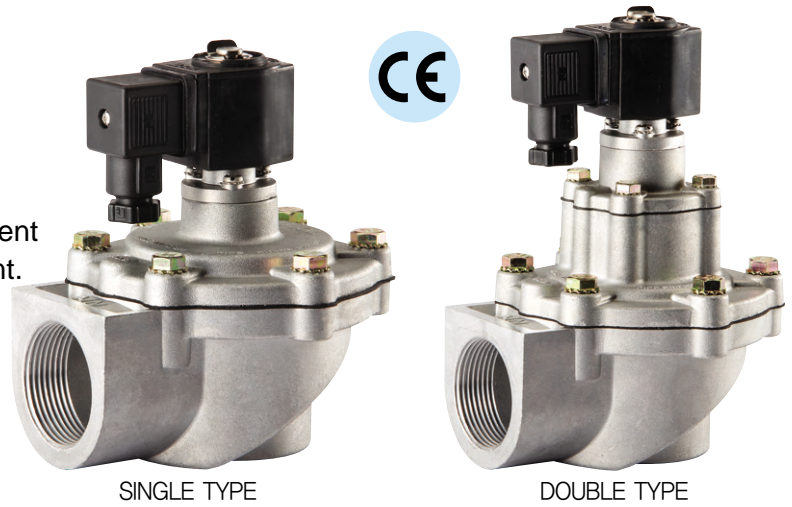


DOUBLE DIAPHRAGM MODEL

# JISI SCREW INTEGRATED TYPE

## JOIL valve's common characteristics (3)

Diaphragm is manufactured with special nylon and synthetic rubber, so it is excellent even in any temperature and environment.



### ■ DIMENSIONS(mm)

| MODEL      | C.V FACTOR | OPERATING PRESSURE |     | ORIFICE A | B    | C   | D    | E     | F   | G  | H  | I  | Diaphragm Q'TY | Weight (kg) |
|------------|------------|--------------------|-----|-----------|------|-----|------|-------|-----|----|----|----|----------------|-------------|
|            |            | MIN                | MAX |           |      |     |      |       |     |    |    |    |                |             |
| JISI 20    | 14.3       | 0.5                | 8   | PT 3/8"   | 19   | 82  | 50   | 117   | 64  | 14 | 35 | 70 | 1              | 0.5         |
| JISI 25    | 24.4       | 0.5                | 8   | PT 1"     | 23   | 102 | 61.5 | 127.4 | 80  | 16 | 35 | 70 | 1              | 0.75        |
| JISI 32    | 47         | 0.5                | 8   | PT 1 1/4" | 29.5 | 130 | 76   | 144   | 121 | 18 | 35 | 70 | 1              | 1.15        |
| JISI 40(S) | 58.4       | 0.5                | 8   | PT 1 1/2" | 31.5 | 130 | 76   | 150   | 121 | 20 | 35 | 70 | 1              | 1.2         |
| JISI 40(D) | 60.9       | 0.5                | 8   | PT 1 1/2" | 31.5 | 130 | 76   | 186   | 121 | 20 | 35 | 70 | 2              | 1.4         |
| JISI 50    | 97.6       | 0.5                | 8   | PT 2"     | 40   | 185 | 111  | 207.7 | 167 | 28 | 35 | 70 | 2              | 2.5         |
| JISI 65    | 145.4      | 0.5                | 8   | PT 2 1/2" | 48.5 | 210 | 125  | 223.7 | 190 | 28 | 35 | 70 | 2              | 3.6         |
| JISI 80    | 230.3      | 0.5                | 8   | PT 3"     | 57.5 | 220 | 118  | 252.6 | 214 | 28 | 35 | 70 | 2              | 4.36        |