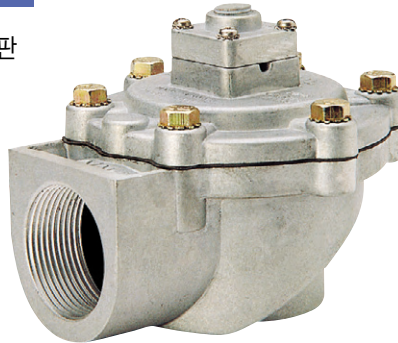


조일밸브의 공통적 특징

밸브의 생명인 다이어프램은 충격 흡수판과 보호판 사이에 리베팅되어 유격 발생방지 및 완충역할로 저소음, 장기수명을 보장합니다.

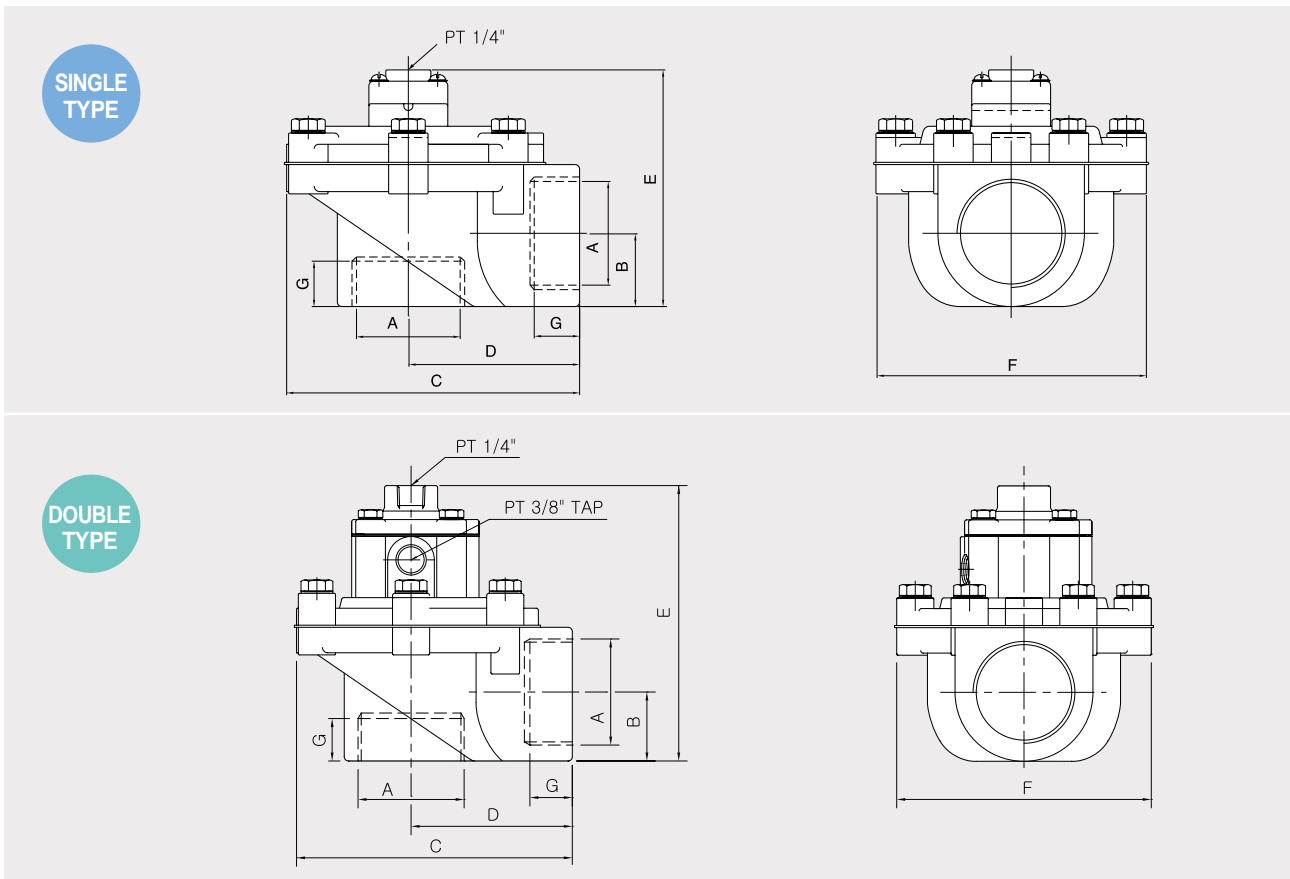
Diaphragm riveting between shock absorption sheet and protect sheet will guarantee less noise and long life of valve, because its application will prevent any tolerance and do good role of shock absorption.



SINGLE TYPE



DOUBLE TYPE



■ DIMENSIONS(mm)

MODEL	C.V FACTOR	OPERATING PRESSURE		ORIFICE A	B	C	D	E	F	G	Diaphragm Q'TY	Weight (kg)
		MIN	MAX									
JISR 20	14.3	0.5	8	PT 3/4"	19	82	50	70	64	14	1	0.3
JISR 25	24.4	0.5	8	PT 1"	23	102	61.5	81	80	16	1	0.55
JISR 32	47	0.5	8	PT 1 1/4"	29.5	130	76	101	121	18	1	0.93
JISR 40(S)	58.4	0.5	8	PT 1 1/2"	31.5	130	76	107	121	20	1	1
JISR 40(D)	60.9	0.5	8	PT 1 1/2"	31.5	130	76	129.8	121	20	2	1.23
JISR 50	97.6	0.5	8	PT 2"	40	185	111	151.7	167	28	2	2.30
JISR 65	145.4	0.5	8	PT 2 1/2"	48.5	210	125	167.5	190	28	2	3.4
JISR 80	230.3	0.5	8	PT 3"	57.5	220	118	196.4	214	28	2	4.16