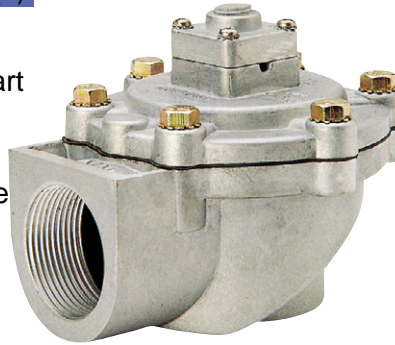


## JOIL valve's common characteristics (4)

Diaphragm of the valve, the crucial part has a revetment between shock absorbent plate and shield plate, so guarantee lower noise and long life by preventing clearance & buffer role.

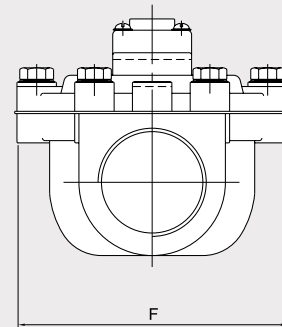
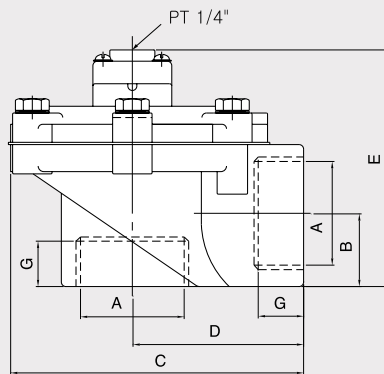


SINGLE TYPE

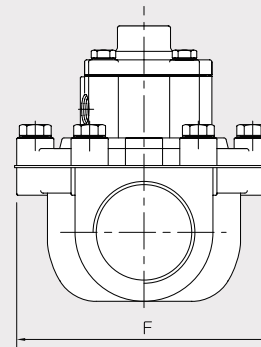
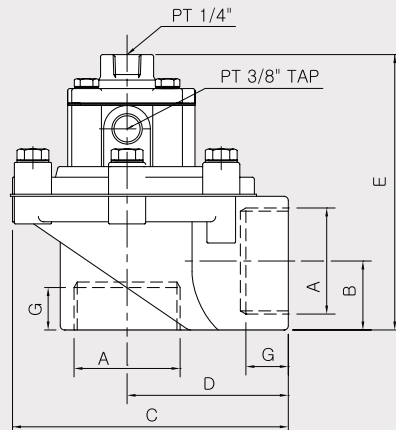


DOUBLE TYPE

SINGLE TYPE



DOUBLE TYPE



### ■ DIMENSIONS(mm)

MODEL	C.V FACTOR	OPERATING PRESSURE		ORIFICE A	B	C	D	E	F	G	Diaphragm Q'TY	Weight (kg)
		MIN	MAX									
JISR 20	14.3	0.5	8	PT 3/8"	19	82	50	70	64	14	1	0.3
JISR 25	24.4	0.5	8	PT 1"	23	102	61.5	81	80	16	1	0.55
JISR 32	47	0.5	8	PT 1 1/4"	29.5	130	76	101	121	18	1	0.93
JISR 40(S)	58.4	0.5	8	PT 1 1/2"	31.5	130	76	107	121	20	1	1
JISR 40(D)	60.9	0.5	8	PT 1 1/2"	31.5	130	76	129.8	121	20	2	1.23
JISR 50	97.6	0.5	8	PT 2"	40	185	111	151.7	167	28	2	2.30
JISR 65	145.4	0.5	8	PT 2 1/2"	48.5	210	125	167.5	190	28	2	3.4
JISR 80	230.3	0.5	8	PT 3"	57.5	220	118	196.4	214	28	2	4.16