

Pressure / Air Velocity / Air Flow

Differential Pressure Transmitter & Switch(4wire)

PTA 102D



GENERAL

PAT102D Digital Pressure Gauge is the instrument which precisely measures differential, static, compound(\pm), vacuum, gauge pressure of air, or non-corrosive gas($\pm 0.5\%$).

Features : 4Digit LED display, current (4~20mA), Switch (1SPDT), communications (RS485).

Scale Adjustable (4~20mA-10:1, up to 500pascal)

APPLICATIONS

- Semiconductor Equipment
- Heating, Ventilating and Air Conditioning (HVAC)
- Energy Management System
- Variable Air Volume and Fan Control (VAV)
- Environmental Pollution Control
- Oven Pressurization and Furnace Draft Controls

SPECIFICATIONS

GENERAL

Maximum Pressure : Rated Range $\times 3$

Media Compatibility : Air, non-corrosive gas

Pressure Range : 0~50Pascal to 0.5MPascal

ELECTRICAL

Power supply : DC24V or AC85~265V

Connections : 2 screw terminal block

Warm up Time : 1 minutes

DISPLAY : 4 Digit LED

PERFORMANCE AT 23°C

Zero Output : 4mA

Full Span Output : 20mA

Accuracy : $\pm 0.5\text{FSO}$ (Includes Linearity, Hysteresis & Repeatability)
 $\pm 0.25\%$ Option

Operating Temperature : 0~70°C

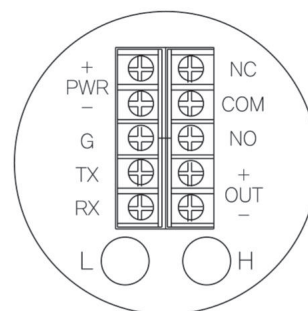
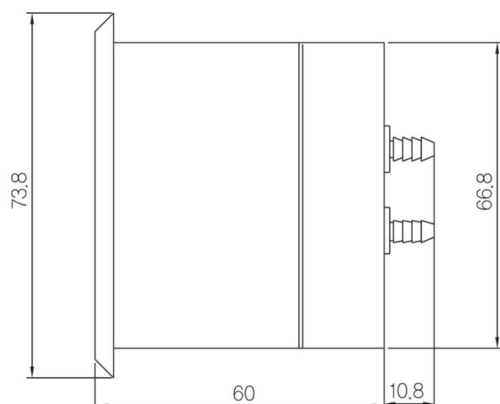
MECHANICAL

Pressure Connections : 3/16" Nipple

Materials : PCABS mold resin

Weight : 155g

Dimension >>>>



SPECIFICATIONS

TRANSMITTER

Output Signal : 4~20mA ADC (limited at 40mADC)
 1~5V DC
 Loop Resistance : 0~1100ohm
 Zero & Span : One touch adjustable by Switch

SWITCH

Relay Contact : 1SPDT (NC-COM-NO)
 Contact Rating : 2A 30V DC
 Connections : 3 Screw terminal block
 Level Setting : Local Setting

STANDARD ACCESSORIES

Connection Bolt : 3 screws
 Panel Braket & Bolts

COMMUNICATIONS

RS 485 Modbus RTU, RS 232

Ordering Information

PTA102D
 (Model)

D

A : Display Only
 B : Transmitter
 C : Switch
 D : Transmitter & Switch

A

A : Absolute
 B : Both
 G : Gauge
 D : Differential
 V : Vaccum

100

Pressure Range (50Pa~0.5MPa)

M

Pressure Unit
 M : mmH2O
 KPa : KPascal
 MPa : MPascal
 IN : Inch/H2O
 B : Bar

1

1 : DC24V
 2 : AC85~265V
 3 : DC12V

Air Velocity(AVT)

Air Velocity Range : 0~2m/s to 30m/s

※ Pressure Range & Unit available on Request