

# THERMOCOUPLE AND RTD ASSEMBLIES

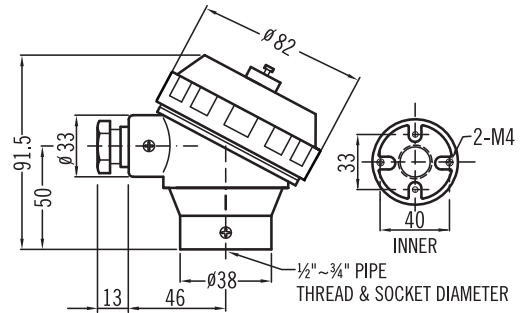
## Head Type Technical Data



HN TYPE

### HN Type

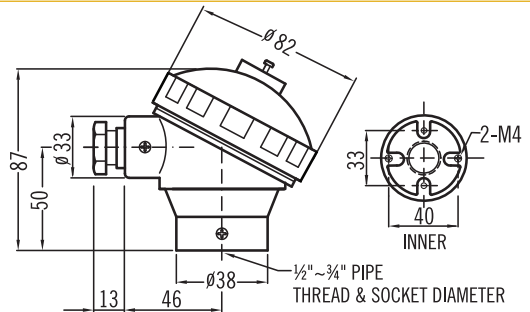
**Protection:** IP67  
**Material:** Aluminum Alloy  
**Weight:** 264g  
**Protection tube connection:** 1/2", 3/4" (PF, NPT, BSP), M20X1.5  
**Extension wire connection:** 1/2", 3/4" (PF, NPT, BSP), M20X1.5  
 Other specifications are available on request.



HP TYPE

### HP Type

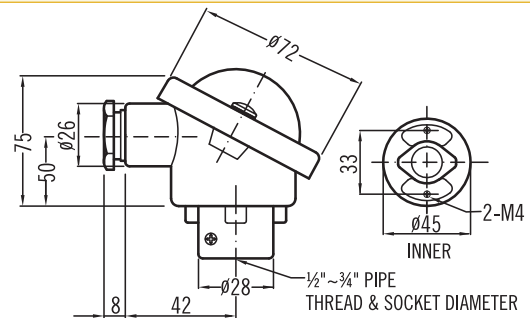
**Protection:** IP65  
**Material:** Polypropylene  
**Weight:** 112g  
**Protection tube connection:** 1/2" NPT, 1/2" BSP  
**Extension wire connection:** 3/4" NPT, M20X1.5  
 Other specifications are available on request.



HD TYPE

### HD Type

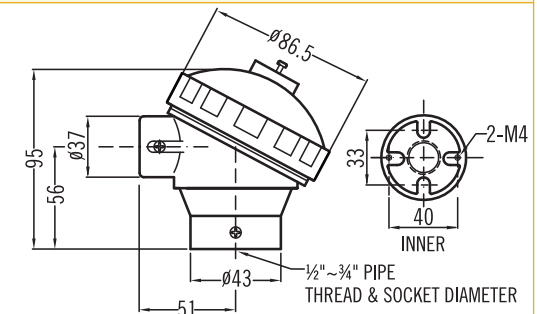
**Protection:** IP67  
**Material:** Aluminum Alloy  
**Weight:** 158g  
**Protection tube connection:** 1/2" PF, 1/2" BSP  
**Extension wire connection:** M22X1.5, PG16  
 Other specifications are available on request.



HI TYPE

### HI Type

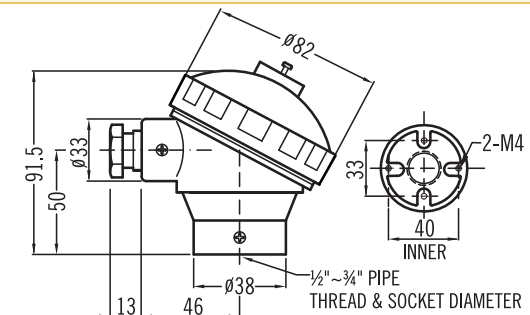
**Protection:** IP67  
**Material:** Cast Iron  
**Weight:** 1600g  
**Protection tube connection:** 1/2", 3/4" (PF, NPT, BSP), M20X1.5  
**Extension wire connection:** 1/2", 3/4" (PF, NPT, BSP), M20X1.5  
 Other specifications are available on request.



HB TYPE

### HB Type

**Protection:** IP65  
**Material:** Bakelite  
**Weight:** 156g  
**Protection tube connection:** 1/2" PF  
**Extension wire connection:** 1/2" PF  
 Other specifications are available on request.



Head Type Technical Data



KS TYPE



S1 TYPE

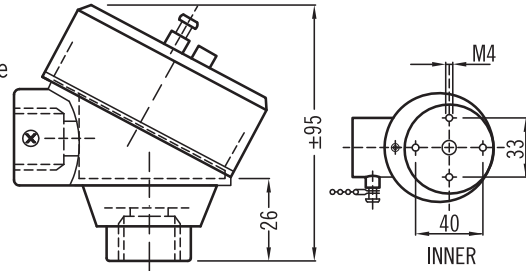


S2 TYPE

KS Type

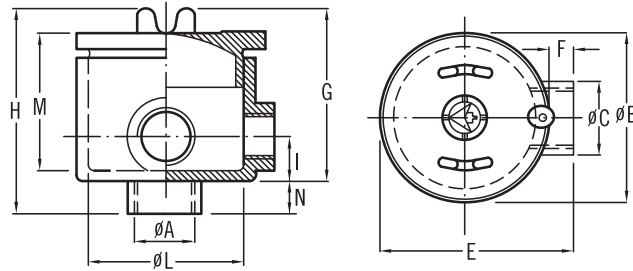
<b>Protection:</b>	FM/CSA Approvals	Class I, DIV I Groups B, C and D Class II, DIV I Groups E, F and G
	CENELEC Approvals	Eexd IIC ATEX II 2G

**Material:** 316SS  
**Weight:** 900g  
Other specifications are available on request.




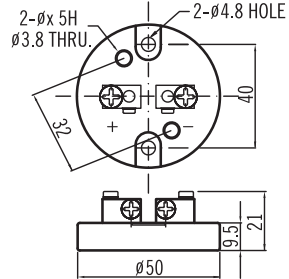

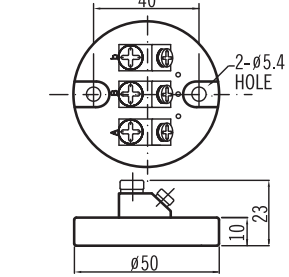

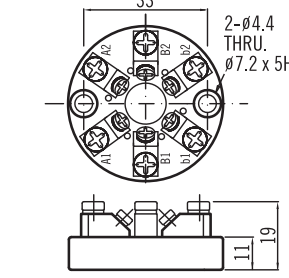

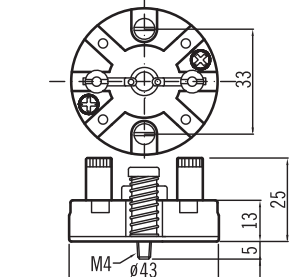

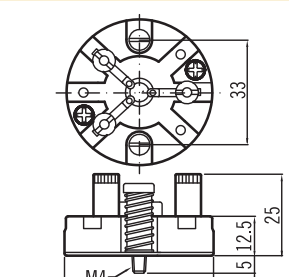

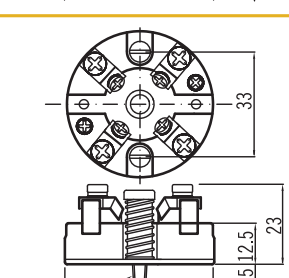
S1 & S2 Type

**Protection:** Explosion proof. EExdIIC T6 IP65  
**Material:** Aluminum Alloy



Type	Dimensions											Terminal Block (on request)	Weight Gr.	
	ØA	ØB	ØC	E	F	G	H	I	ØL	M	N			unitmm
S1	½"	70	31	79	9	72	85	20	55	52	13		4x4 mm <sup>2</sup>	350
S2	¾"	90	38	100	10	78	92	24	76	69	14		4x4 mm <sup>2</sup>	510

## Terminal Type

 <p><b>N-2P-A</b>    <b>N-3P-A</b>    <b>N-3P-A(Y)</b>    <b>N-4P-A</b>    <b>N-6P-A</b></p>	
<p>Terminal blocks for connection heads.  <b>Material:</b> Ceramic Al<sub>2</sub>O<sub>3</sub> 92%  <b>Terminal block weight:</b> 2P-A(72g). 3P-A(78g). 3P-A(Y)(72g).4P-A(84g).6P-A(94g)</p>	
 <p><b>N-2P-B</b>    <b>N-3P-B</b>    <b>N-3P-B(Y)</b>    <b>N-4P-B</b>    <b>N-6P-B</b></p>	
<p>Terminal blocks for connection heads.  <b>Material:</b> Bakelite  <b>Terminal block weight:</b> 2P-B(56g). 3P-B(68g). 3P-B(Y)(44g). 4P-B(84g). 6P-B(66g)</p>	
<p>*</p>  <p><b>M-2P-C</b>    <b>M-3P-C</b>    <b>M-4P-C</b>    <b>M-6P-C</b></p>	
<p>Terminal blocks for connection heads.  <b>Material:</b> Ceramic  <b>Terminal block weight:</b> 2P-C(34g). 3P-C(38g). 4P-C(42g). 6P-C(54g)</p>	
<p>*</p>  <p><b>D-2P-A</b>    <b>D-3P-A</b>    <b>D-4P-A</b>    <b>D-6P-A</b></p>	
<p>Terminal blocks for connection heads.  <b>Material:</b> Ceramic Al<sub>2</sub>O<sub>3</sub> 92%  <b>Terminal block weight:</b> 2P-A(66g). 3P-A(72g). 4P-A(78g). 6P-A(88g)</p>	
<p>*</p>  <p><b>D-2P-B</b>    <b>D-3P-B</b>    <b>D-4P-B</b>    <b>D-6P-B</b></p>	
<p>Terminal blocks for connection heads.  <b>Material:</b> Bakelite  <b>Terminal block weight:</b> 2P-B(48g). 3P-B(54g). 4P-B(60g). 6P-B(72g)</p>	
<p>*</p>  <p><b>DS-2P-C</b>    <b>DS-3P-C</b>    <b>DS-4P-C</b>    <b>DS-6P-C</b></p>	
<p>Terminal blocks for connection heads.  <b>Material:</b> Ceramic  <b>Terminal block weight:</b> 2P-C(64g). 3P-C(70g). 4P-C(74g). 6P-C(84g)</p>	

**NOTE**

\* HD Type: Head Type  
 HD only choose these terminal blocks of type D-2P-A/M-6P-C/D-3P-B/DS-4P-C.  
 All type of terminal blocks are suitable for other head.