

THREAD TYPE THERMOWELLS

Technical Data

Welded type: WST, WLT,

Drilled bar stock type: BST,BLT,BTT,BTLT,BPST,BPLT

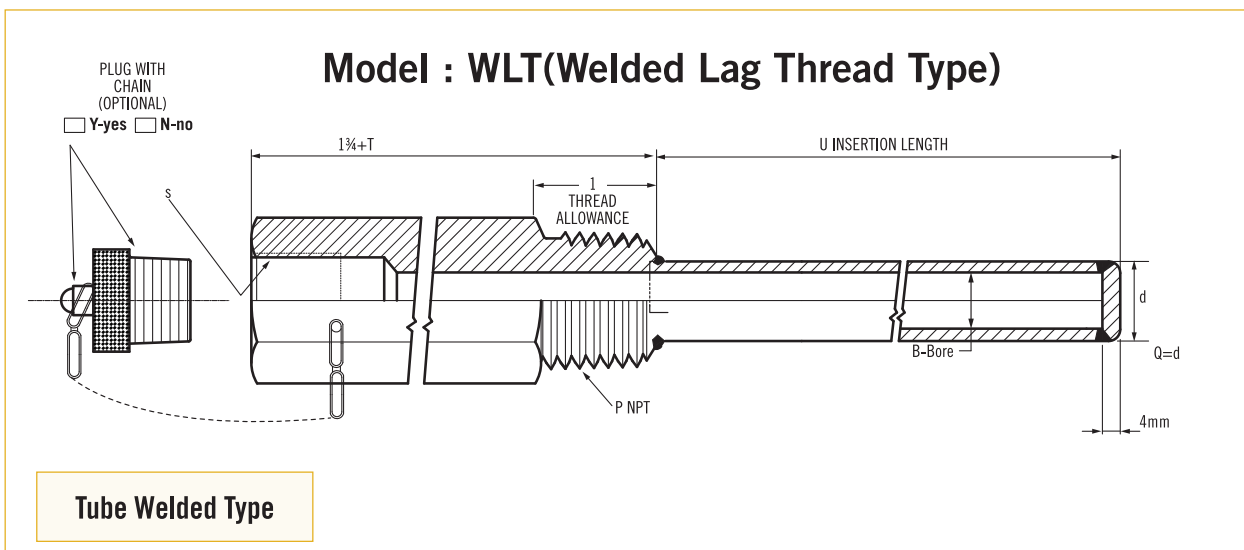
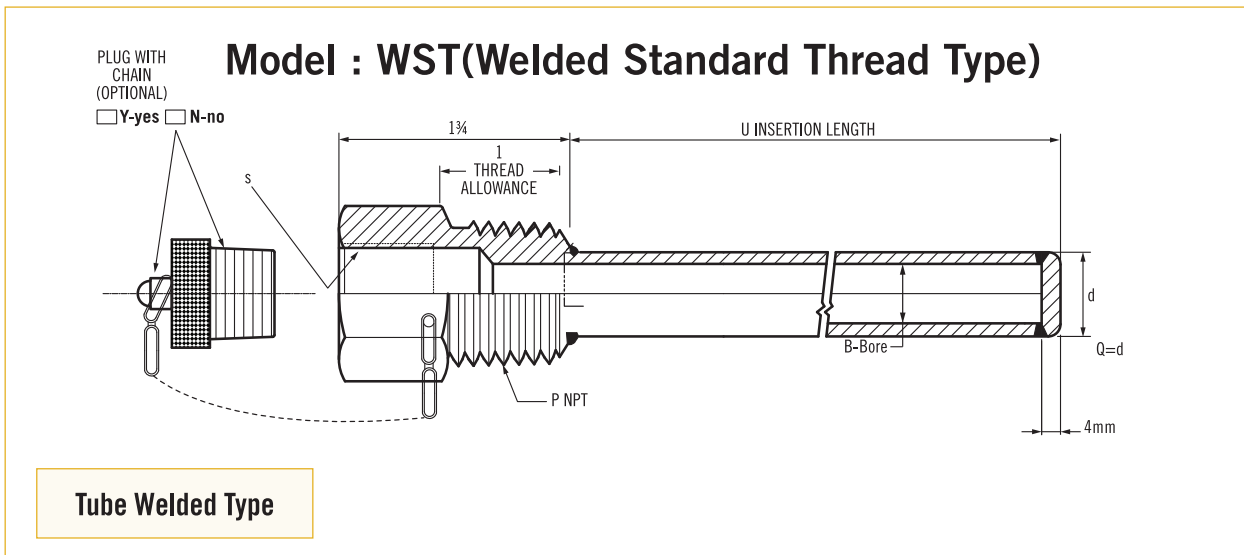
Material: SS304, SS316, SS316L, Monel, Hastelloy C 276, Brass, Carbon Steel, Titanium (special material available upon request)

Process connection: 1/2" ~ 2" male available (special thread upon request)

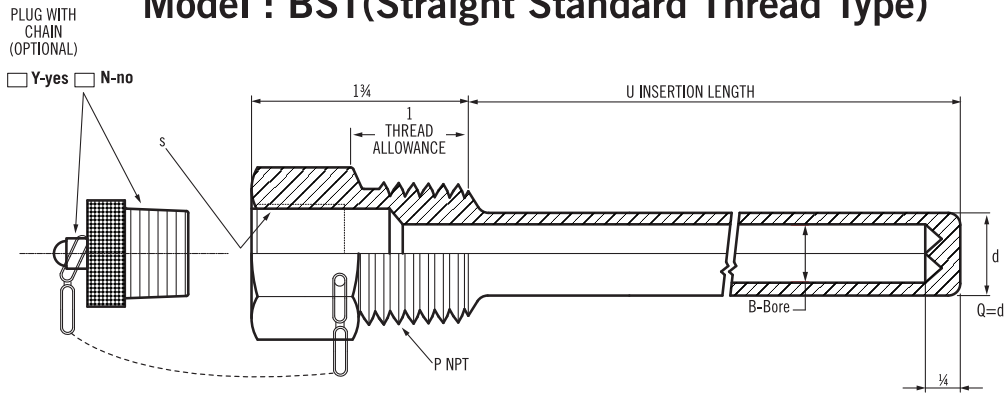
Instrument connection: 1/2" NPT, 3/4" NPT Female available (special thread upon request)



Thread Wells Series

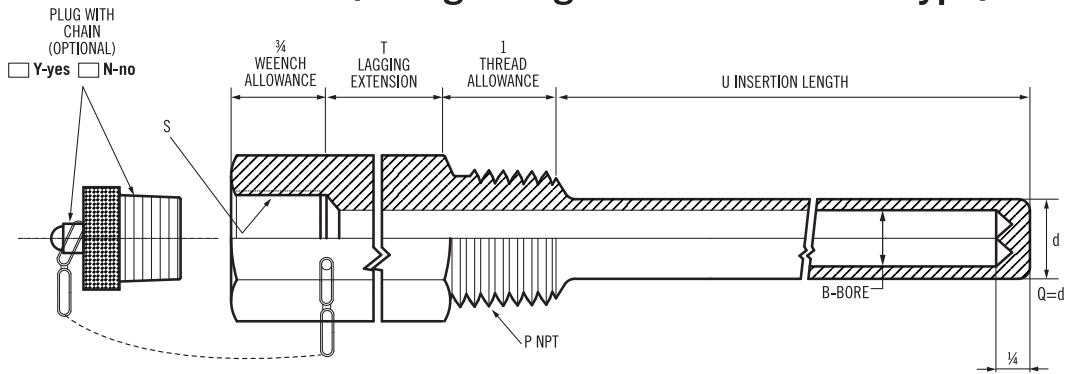


Model : BST(Straight Standard Thread Type)



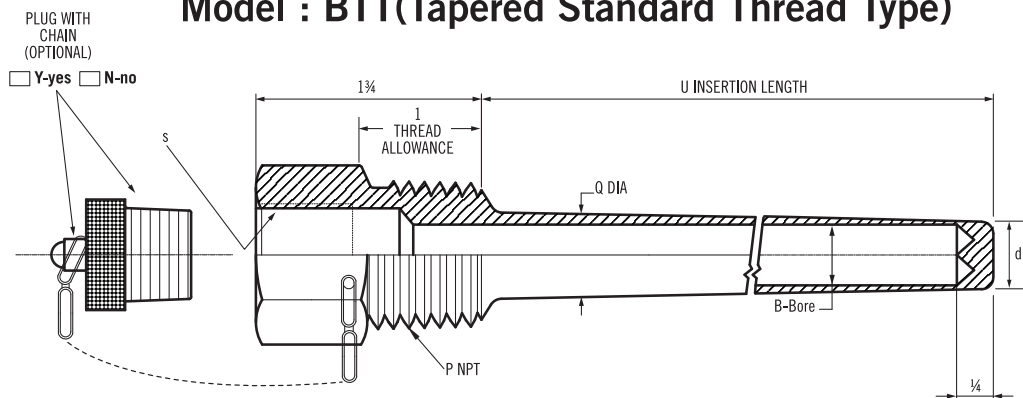
Bar Drilled Type

Model : BLT(Straight Lag Extension Thread Type)



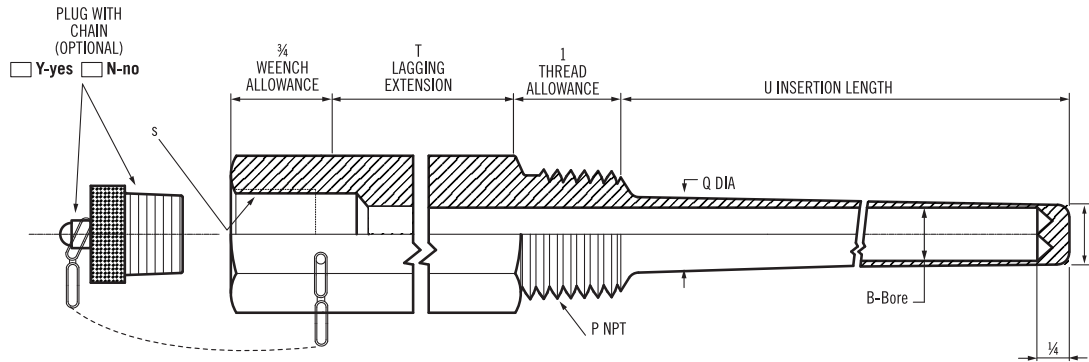
Bar Drilled Type

Model : BTT(Tapered Standard Thread Type)



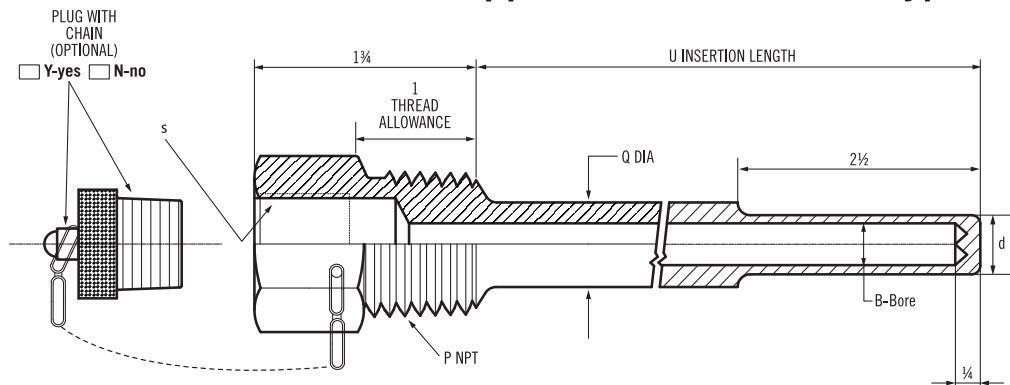
Bar Drilled Type

Model : BTLT(Tapered Lag Extension Thread Type)



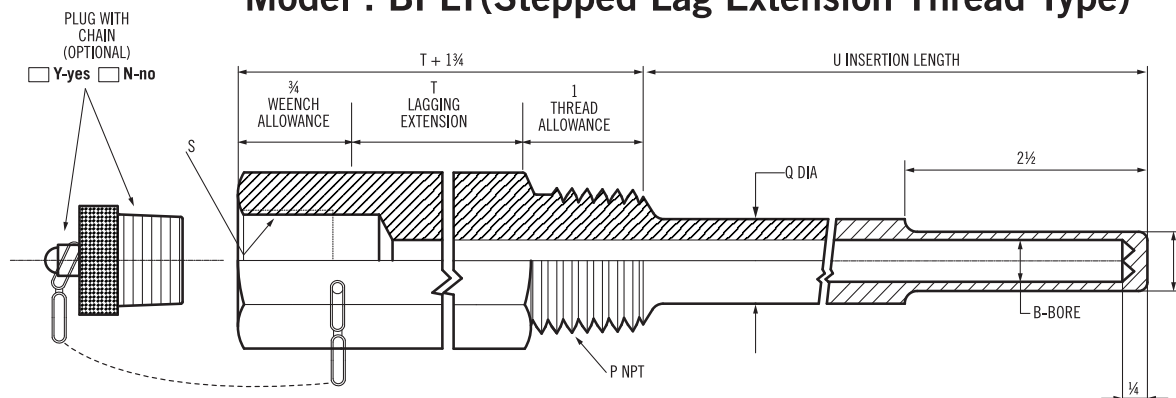
Bar Drilled Type

Model : BPST(Stepped Standard Thread Type)



Bar Drilled Type

Model : BPLT(Stepped Lag Extension Thread Type)



Bar Drilled Type

Ordering Information

Model	Configuration Style							
	WST	WLT	BST	BLT	BTT	BTLT	BPST	BPLT
	Code	Material						
	CS	Carbon Steel	MO	Monel				
	S1	304 Stainless Steel	HC	Hastelloy C276				
	S2	316 Stainless Steel	Ti	Titanium				
	S3	316L Stainless Steel	OP	Option (please indicate material)				
	Code	Process Connection (P)						
		(1) 1/2" (2) 3/4" (3) 1" (4) 1 1/2" (5) 2" (6) option (please indicate size)						
	Code	S-Instrument Connection						
	A	1/2" NPT Female	0	option				
	B	3/4" NPT Female						
	Code	Lag Length "T"						
	No	0	T6	6"				
	T3	3"	Tn	option (please indicate length)				
	Code	"Q" Diameter						
		Fill in the requested diameter: e.g. 20mm=20Q 0 without Q						
	Code	"d" Diameter						
		Fill in the requested diameter: e.g. 15mm=15d						
	Code	"B" BORE diameter						
		Fill in the requested diameter: e.g. 7mm=7B						
	Code	"U" Insertion Length						
		Fill in the requested length: e.g. 300mm=300u						
	Code	Plug with Chain						
	Y	Yes						
	N	No						
								Complete Ordering Code