

## AL DIE-CASTING



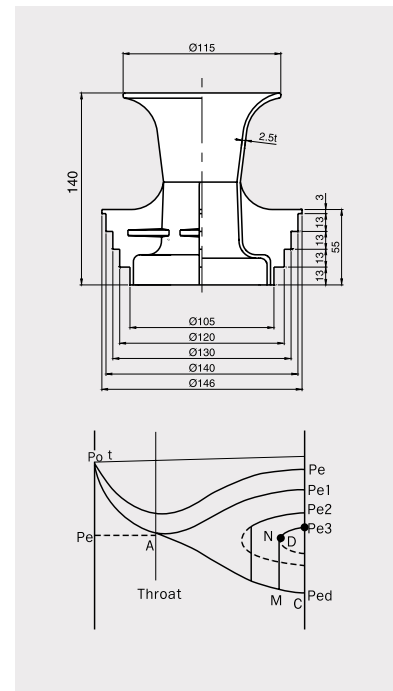
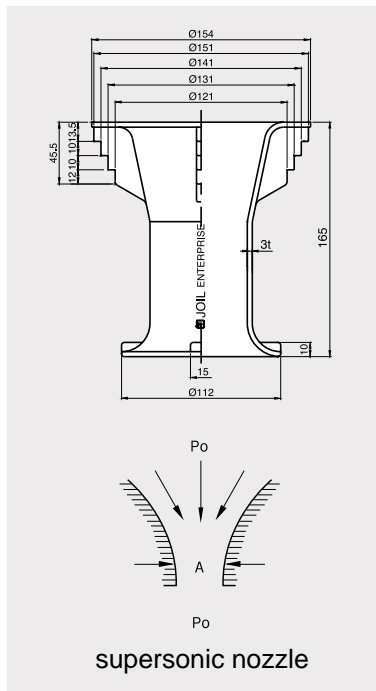
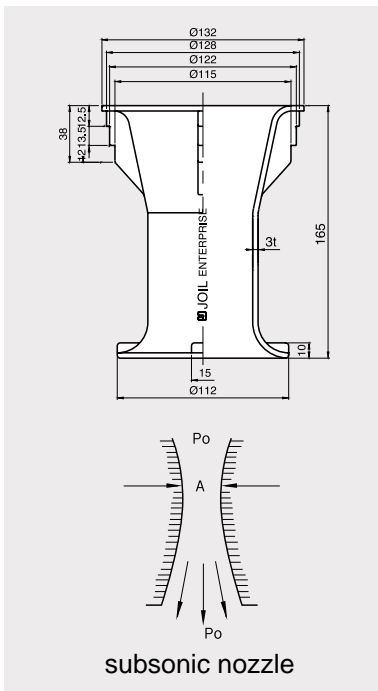
JAV-1



JAV-2



JAV-3



**DIFFUSER NOZZLE :**  
It converts velocity energy into pressure energy.

**LAVAL NOZZLE :**  
It converts pressure energy into velocity energy.

## FORMING (SS, STS)



JSV-1



JSV-2



THIMBLE